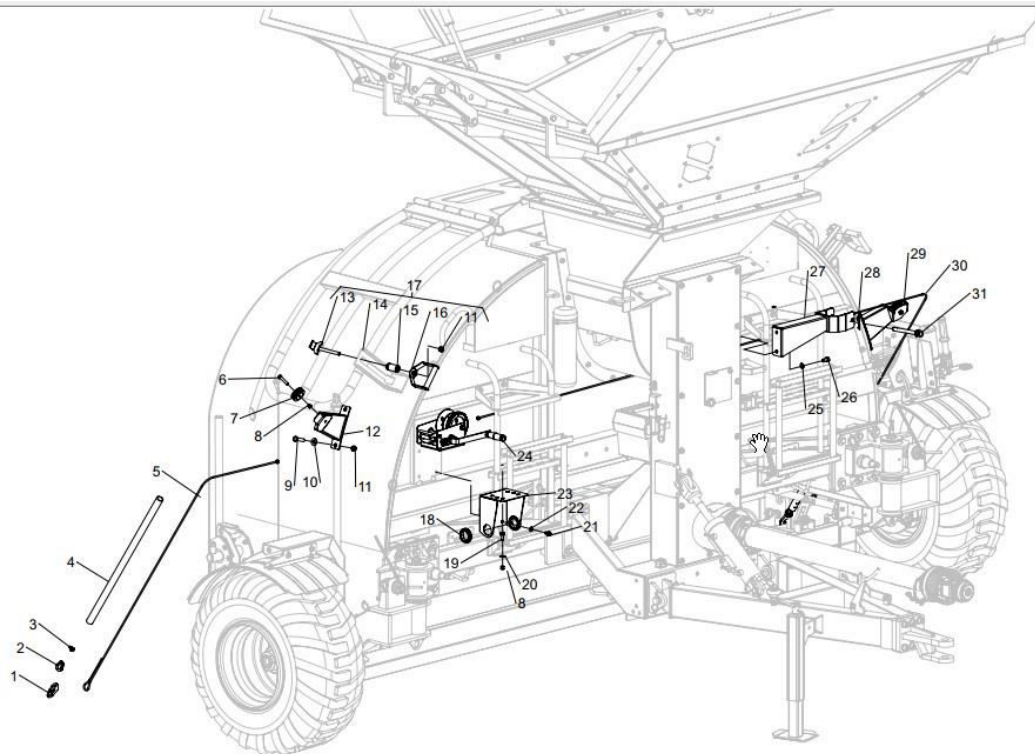


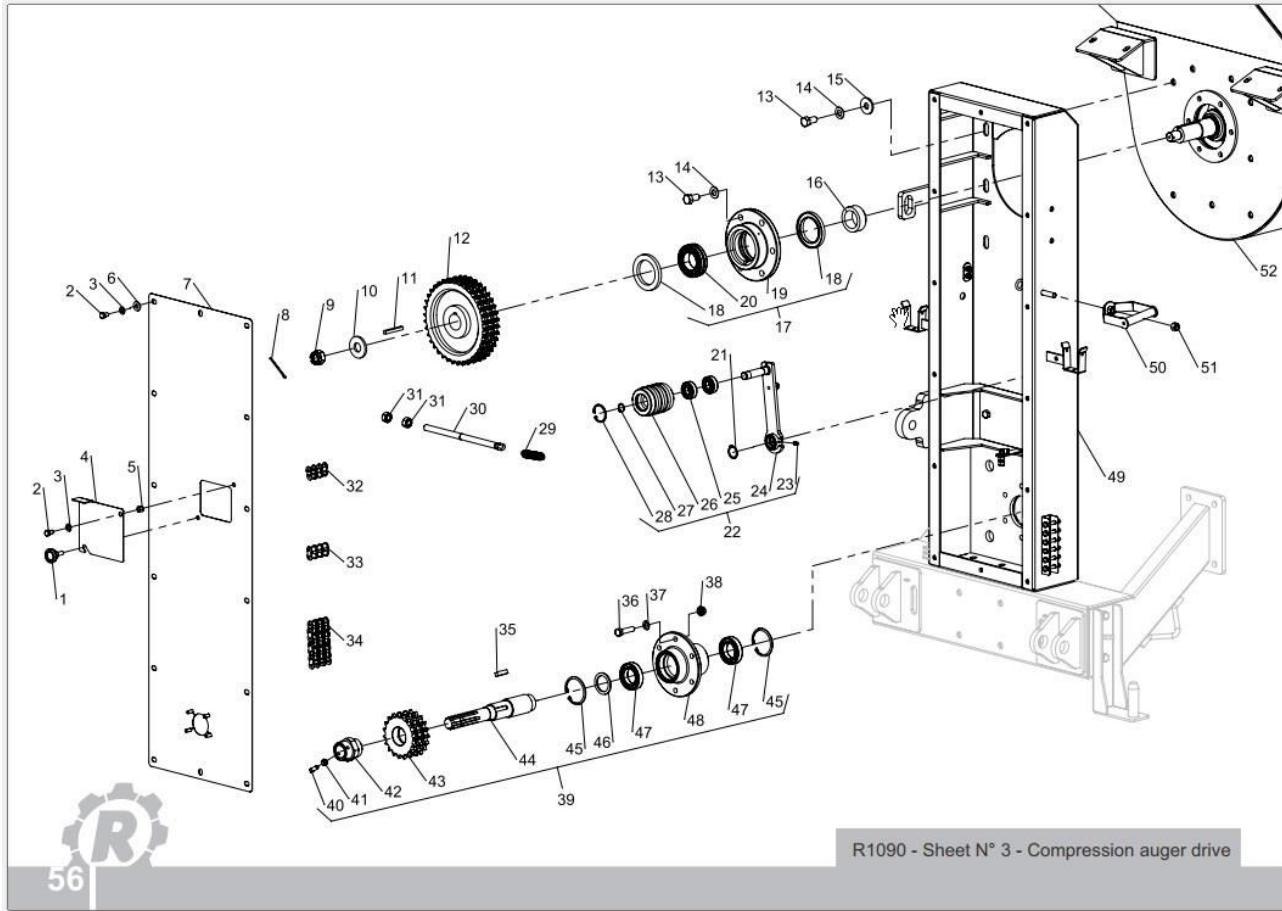
R990/R1090 - Sheet N° 1 - Full machine

R1090 - Sheet N° 1 - Full machine			
N°	Description	Code	Quant.
1	Large hopper assembly with side cover	CDEG50186A	1
2	User's manual canister	MCPL00013A	1
3	Toolbox	MCPL00014A	1
4	Main drive shaft assembly	MCBA00058A	1
5	Pull rod	CDEC50106A	1
6	Front cover	CDEC50157A	2



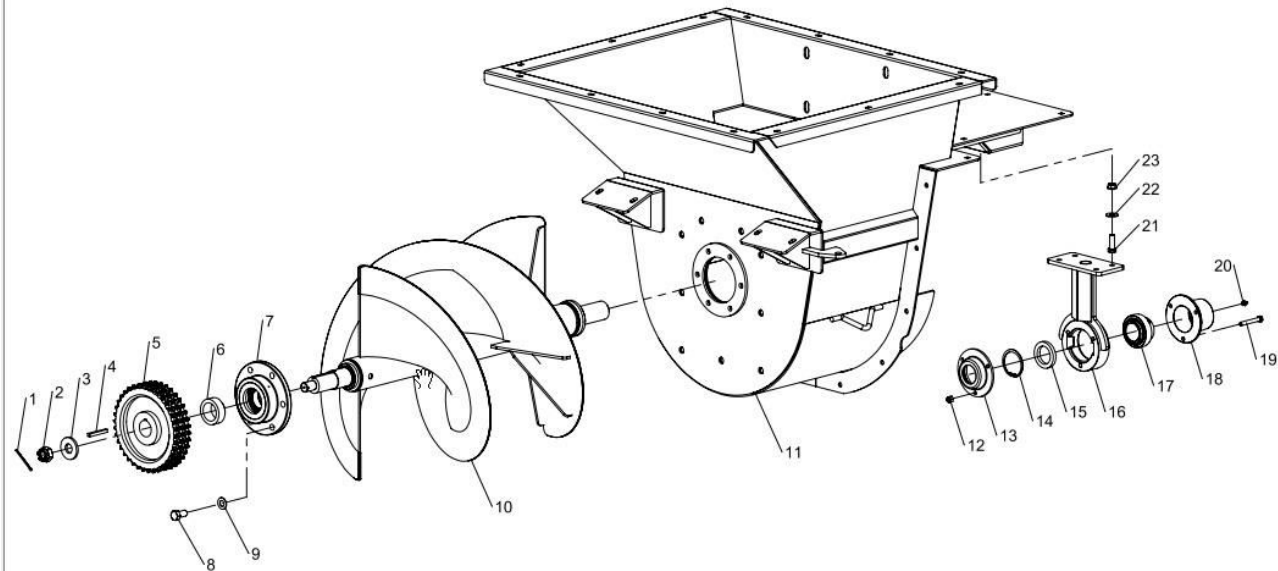
R990/R1090 - Sheet N° 2 - Hand winch assembly & Cradle docking assembly

R1090 - Sheet N° 2 - Hand winch assembly & Cradle docking assembly			
N°	Description	Code	Quant.
1	Hook	CDEC00579A	2
2	Cable thimble 3/16"	MCES01004A	2
3	Cable sleeve (crimp) 3/16"	MCES01029A	4
4	Tube 1"x 31"	CDEC00199A	2
5	Steel cable 2300 mm	CDEG50154A	1
6	Hex bolt gr. 5 BSW 3/8"x2"	MCBU00012A	2
7	Pulley	MCPL00045A	2
8	Self locking nut BSW 3/8"	MCTU06001A	5
9	Hex bolt gr. 5 BSW 1/2"x2"	MCBU00028A	4
10	Flat washer galvanized 1/2"	MCAR00007A	4
11	Self locking nut BSW 1/2"	MCTU06003A	6
12	Pulley bracket assy, right side	CDEC50164A	1
13	Threaded pin	CDEC50096A	2
14	Cradle bracket	CDEC00299A	2
15	Bushing	CDEC00300A	2
16	Wingnut w/washer	CDEC50095A	2
17	Cradle support assy.	CDEC50138A	2
18	Ring	MCGO00078A	2
19	Hex bolt gr. 5 BSW 3/8"x1"	MCBU00007A	3
20	Flat washer galvanized 3/8"	MCAR00005A	3
21	Hex bolt gr. 5 BSW 3/8"x3/4"	MCBU00005A	4
22	Disc springs 3/8" (20x10,2x0.8 mm)	MCAR01006A	4
23	Front cover bracket	CDEG00383A	1
24	Hand winch	CDEG50188A	1
25	Disc springs 1/2" (24x13x2,8 mm)	MCAR03002A	2
26	Hex bolt gr. 5 BSW 1/2"x1"	MCBU00024A	2
27	Vertical position support, drive shaft	CDEC50156A	1
28	R-clip 2.5x60 mm	MCCH00005A	1
29	Pulley bracket assy, left side	CDEC50166A	1
30	Steel cable 4850 mm	CDEG50155A	1
31	Pin, upper bracket	CDCM50016A	1
32	Hand winch	CDEG50148A	1



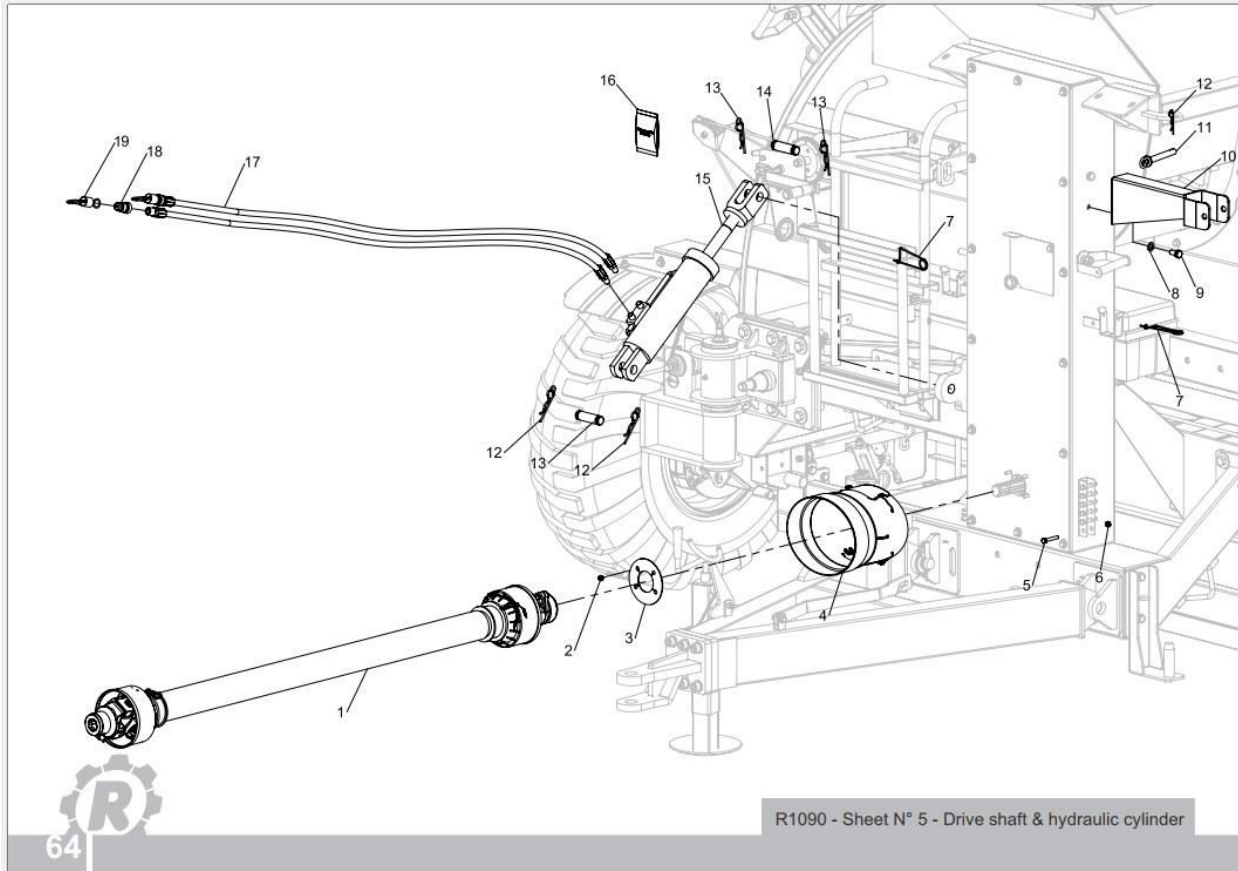
R1090 - Sheet N° 3 - Compression auger drive			
Nº	Description	Code	Quant.
1	Knob with screw 3/8" x 1"	MCPL00050A	1
2	Hex bolt gr. 5 BSW 3/8"x5/8"	MCBU00031A	15
3	Disc springs 3/8" (20x10,2x0.8 mm)	MCAR01006A	15
4	Inspection cover	CDEH00503A	1
5	Self locking nut BSW 3/8"	MCTU06001A	1
6	Flat washer galvanized 3/8"	MCAR00005A	14
7	Cover	CDEG50114A	1
8	Split pin 4x60 mm	MCCH01033A	1
9	Castle nut NF 1"	MCTU10005A	1
10	Flat washer 1/4" OD 60/ ID 26 mm	CDAA42013A	1
11	Square key 8x8x67 mm	CDEG00416A	1
12	Triple sprocket 38 teeth, ASA 60/3 chain	CDEG00406A	1
13	Hex bolt gr. 5 BSW 5/8"x1 1/4"	MCBU00034A	15
14	Disc springs 5/8" (31,5x16,3x1,75 mm)	MCAR01003A	15
15	Flat washer 3/16" OD 45/ ID 16 mm	CDAA42019A	9
16	Spacer	CDBR00058A	1
17	Bearing assy, compression auger	CDBR50026A	1
18	Oil seal 70x100x10 mm	MCRE00043A	2
19	Bearing housing for bearing 22210	CDBR00071A	1
20	Bearing 22210 E	MCRO05002A	1
21	Snap ring 30A DIN471	MCSE01008A	1
22	Triple tensioner stud	CDEG50161A	1
23	Grease fitting, straight SAE 1/4"	MCAL00002A	1
24	Triple tensioner arm	CDEG50160A	1
25	Bearing 6204 2RS	MCRO00015A	2
26	Triple tensioner roller	CDEG00408A	1

R1090 - Sheet N° 3 - Compression auger drive			
Nº	Description	Code	Quant.
27	Snap ring 20A DIN471	MCSE01004A	1
28	Snap ring 471 DIN472	MCSE00002A	1
29	Tensioner spring 2.5x20x65 mm	MCRS00014A	1
30	Tensioner stud	CDEG50177A	1
31	Hex nut gr. 5 BSW 5/8"	MCTU00007A	2
32	Connecting link, ASA 60/3 roller chain	MCCA01037A	1
33	Offset link ASA 60/3 roller chain	MCCA01038A	1
34	Roller chain ASA 60/3	CDEG00417A	1
35	Square key 10x10x38 mm	CDEG00415A	1
36	Hex bolt gr. 5 BSW 1/2"x2"	MCBU00028A	6
37	Discspring washer 1/2"	MCAR01010A	6
38	Hex nut gr. 5 BSW 1/2"	MCTU00005A	6
39	Drive shaft assy.	CDEG50165A	1
40	Square head set screw 3/8"x7/8"	MCPR00015A	1
41	Hex nut gr. 5 BSW 3/8"	MCTU00015A	1
42	Gear fixing nut	CDEG00409A	1
43	Triple sprocket 19 teeth, ASA 60/3 chain	CDEG00407A	1
44	Drive shaft w/push-button lock	CDBQ00127A	1
45	Snap ring 75I DIN472	MCSE00009A	2
46	Spacer bushing	CDBO00040A	1
47	Bearing 6009 2RS	MCRO00001A	2
48	Drive shaft housing	CDBV00025A	1
49	Drive housing	CDEG50113A	1
50	Wingnut w/washer	CDEC50095A	1
51	Self locking nut BSW 1/2"	MCTU06003A	1
52	Base for CG300/R1090	CDCP50290A	1

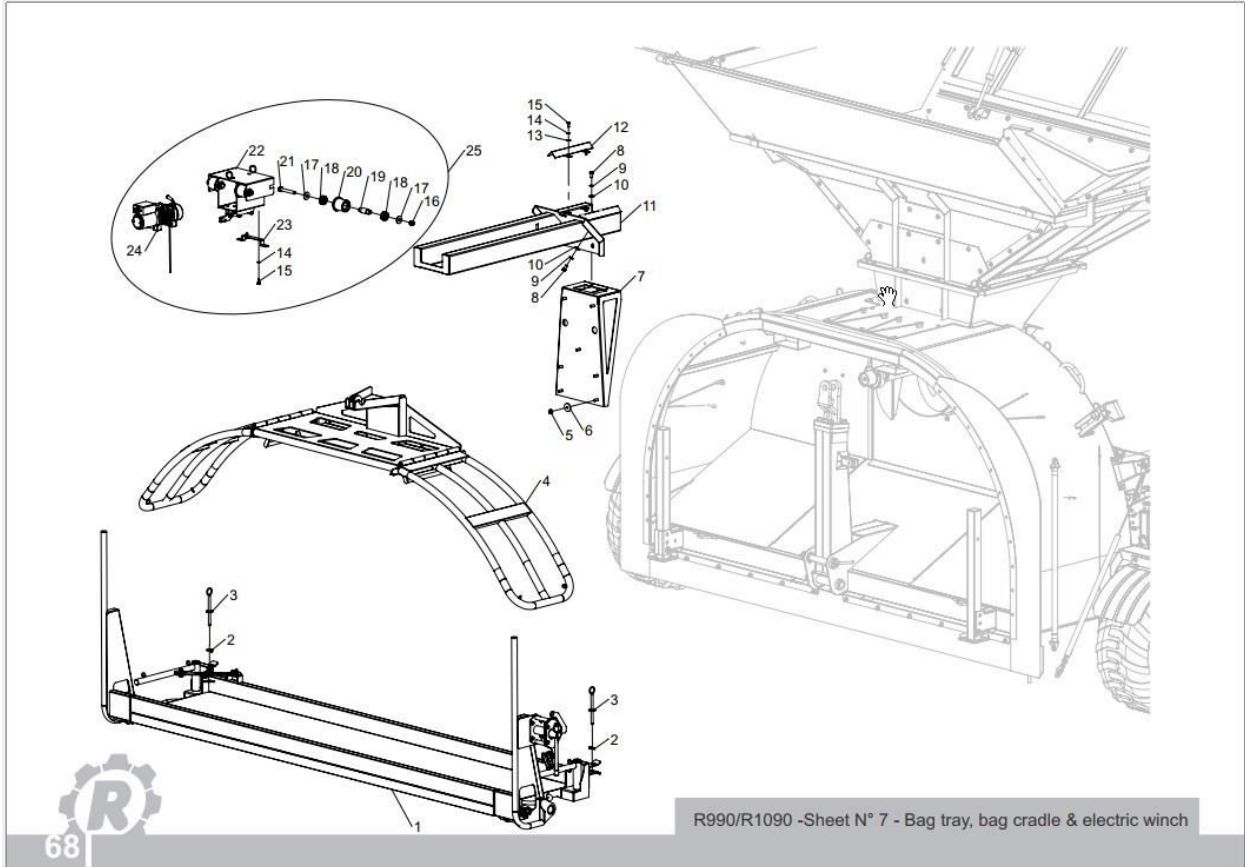


R1090 - Sheet N° 4 - Hopper base & compression auger

R1090 - Sheet N° 4 - Hopper base & compression auger			
Nº	Description	Code	Quant.
1	Split pin 4x60 mm	MCCH01033A	1
2	Castle nut NF 1"	MCTU10005A	1
3	Flat washer 1/4" OD 60/ ID 26 mm	CDAA42013A	1
4	Square key 8x8x67 mm	CDEG00416A	1
5	Double sprocket 38 teeth, ASA 60/3 chain	CDEG00406A	1
6	Spacer	CDBR00058A	1
7	Bearing, compression auger	CDBR50026A	1
8	Hex bolt gr. 5 BSW 5/8"x1 1/4"	MCBU00034A	6
9	Disc springs 5/8" (31,5x16,3x1,75 mm)	MCAR01003A	6
10	Compression auger	CDEG50111A	1
11	Base for CG300/R1090	CDCP50290A	1
12	Self locking nut BSW 1/2"	MCTU06001A	3
13	Bearing cover, front	CDEG00174A	1
14	Snap ring 72I DIN472	MCSE00005A	1
15	Oil seal 50x72x10 mm	MCRE00008A	1
16	Hanger f/UC-210	CDEG50101A	1
17	Bearing UC-210	MCRO12007A	1
18	Bearing cover, rear	CDEG00175A	1
19	Hex bolt gr. 5 BSW 3/8"x2 3/4"	MCBU00046A	3
20	Grease fitting, straight SAE 1/8"	MCAL00001A	1
21	Hex bolt gr. 5 BSW 1/2"x1 1/2"	MCBU00026A	4
22	Flat washer galvanized 1/2"	MCAR00007A	4
23	Hex nut gr. 5 BSW 1/2"	MCTU00005A	4

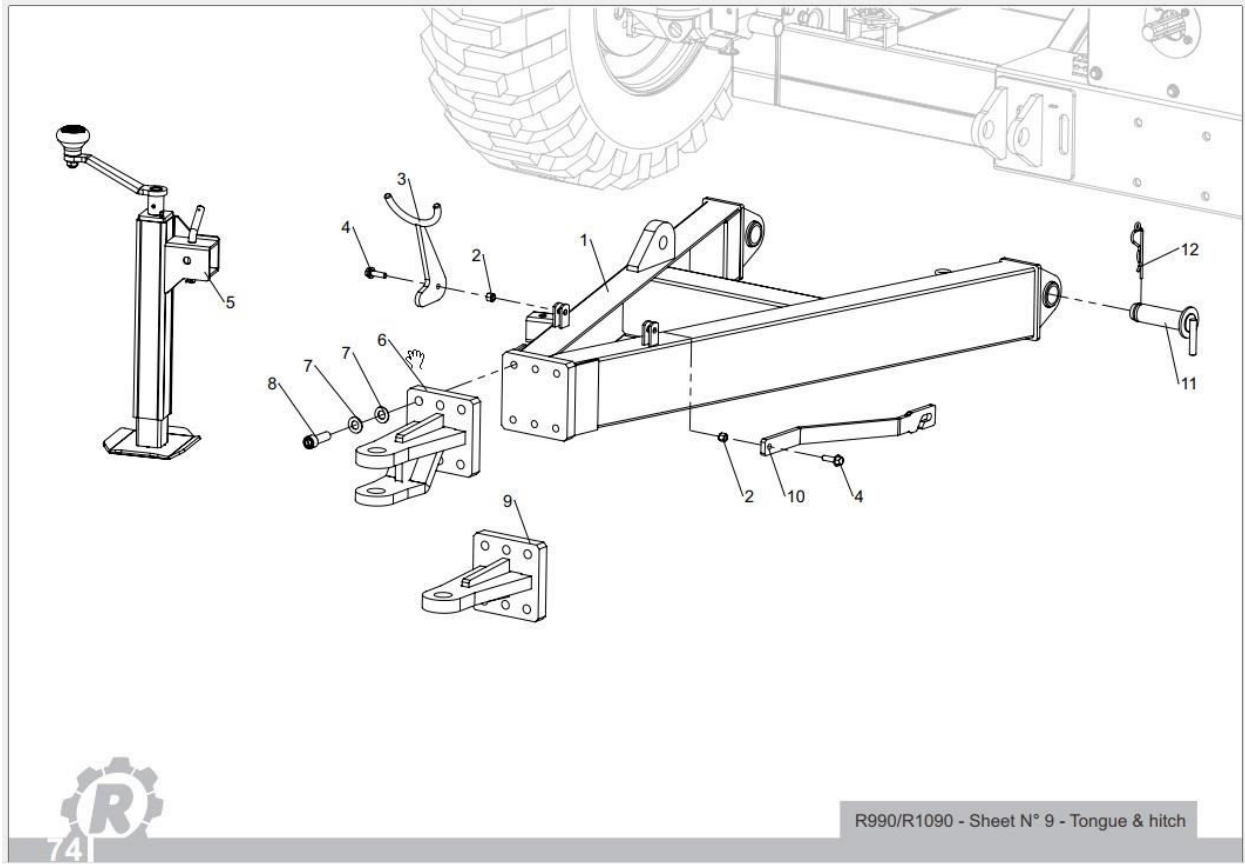


R1090 - Sheet N° 5 - Drive shaft & hydraulic cylinder			
Nº	Description	Code	Quant.
1	Drive shaft	MCBA00067A	1
2	Self locking nut BSW 5/16"	MCTU06002A	4
3	Retaining washer, plastic shield	CDBQ00036A	1
4	Plastic shield, PTO	CDBZ00112A	1
5	Hex bolt Class 8.8 M10-1.5x50 mm	MCBU04006A	6
6	Self locking nut M10	MCTU08004A	6
7	Pin clip 3,5 x 145 mm	MCCH02002A	2
8	Disc spring washer 1/2"	MCAR01010A	2
9	Hex bolt gr. 5 BSW 1/2"x1"	MCBU00024A	2
10	Vertical position support, drive shaft	CDEC50156A	1
11	Pin, upper bracket	CDCM50016A	1
12	R-clip 2.5x60 mm	MCCH00005A	1
13	R-clip 4x90 mm	MCCH00007A	4
14	Clevis pin 1" x 90 mm, hydraulic cylinder	MCHI07100A	2
15	Hydraulic cylinder 3" x 8" w/check valve	MCHI02022A	1
16	Repair kit, hydraulic cylinder	MCHI00017A	1
17	Hydraulic hose 1/4" R2 AT LEP= 2000 mm	MCHI04027A	2
18	Quick disconnect coupling PNH 1/2" NPT	MCHI07055A	2
19	Plastic plug BTHP 1/2"	MCHI07027A	2

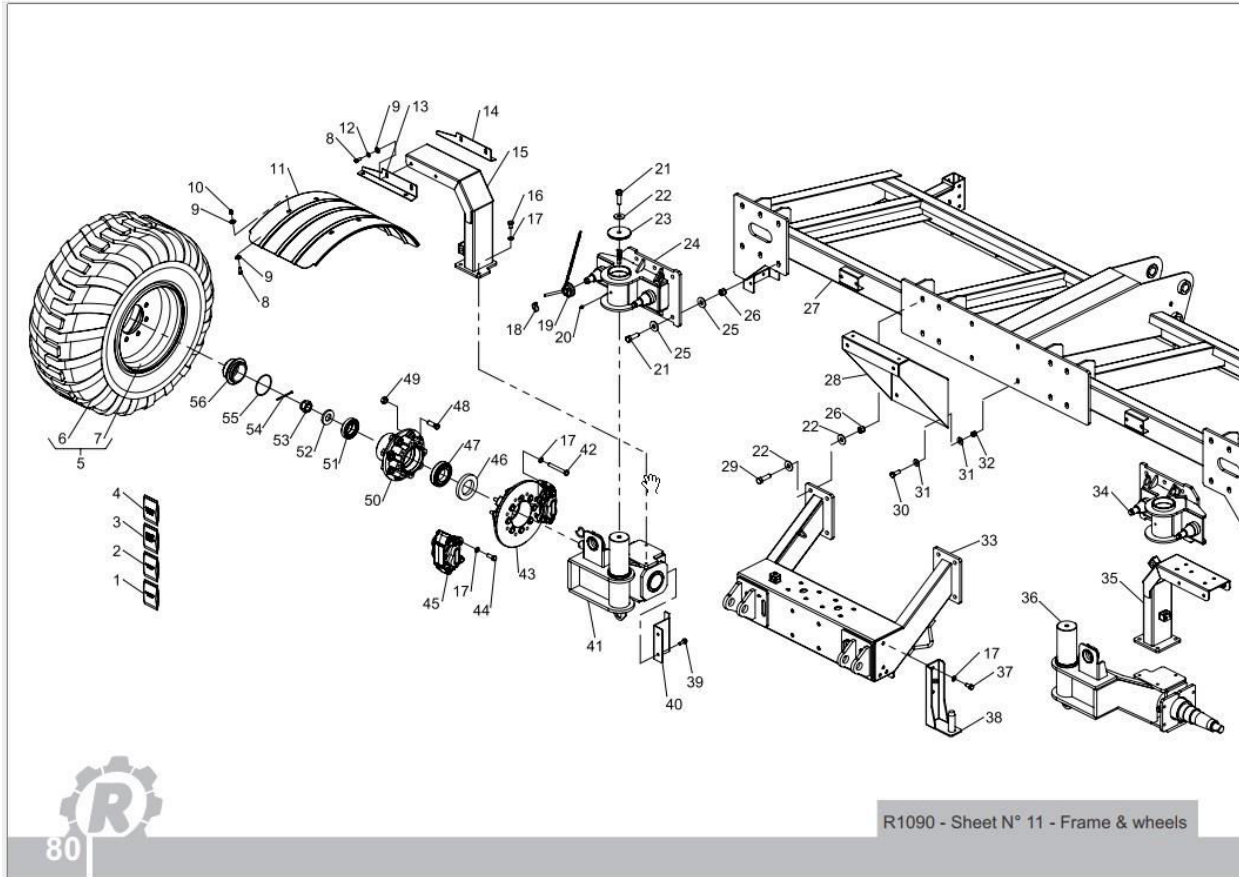


R1090 - Sheet N° 7 - Bag tray, bag cradle & electric winch

Nº	Description	Code	Quant.
1	Bag tray assy.	CDEG50133A	1
2	R-clip w/ring	MCCH03001A	2
3	Lock pin	CDEG50137A	2
4	Bag cradle assy.	CDEG50196A	1
5	Hex nut BSW 1/4"	MCTU00005A	7
6	Flat washer 1/8" OD 50/ ID 13 mm	CDAA42034A	7
7	Support bracket, jib crane	CDEG50141A	1
8	Hex bolt gr. 5 BSW 5/8"x2"	MCBU00024A	4
9	Split lock washer 1/2"	MCAR01010A	4
10	Flat washer galvanized 1/2"	MCAR00007A	4
11	Twin rail jib crane	CDEC50089A	1
12	Anti-grain folding	CDEG00411A	2
13	Flat washer galvanized 3/8"	MCAR00005A	4
14	Split lock washer 7/8"	MCAR01006A	6
15	Hex bolt gr. 5 BSW 7/16"x4"	MCBU00006A	6
16	Self locking nut NF 1"	MCTU06005A	4
17	Flat washer galvanized 5/8"	MCAR00009A	8
18	Bearing 6211 2RS	MCRO00017A	8
19	Trolley axle	CDEC00113A	4
20	Trolley wheel	CDEC00112A	4
21	Hex bolt gr. 5 BSW 1/4" x 2 1/4"	MCBU00077A	4
22	Trolley	CDEC50093A	1
23	U bracket	CDEC00335A	1
24	Winch 12 V f/R1090	MCCL04087A	1
25	Trolley and winch assy. f/R1090	CDEC50090A	1

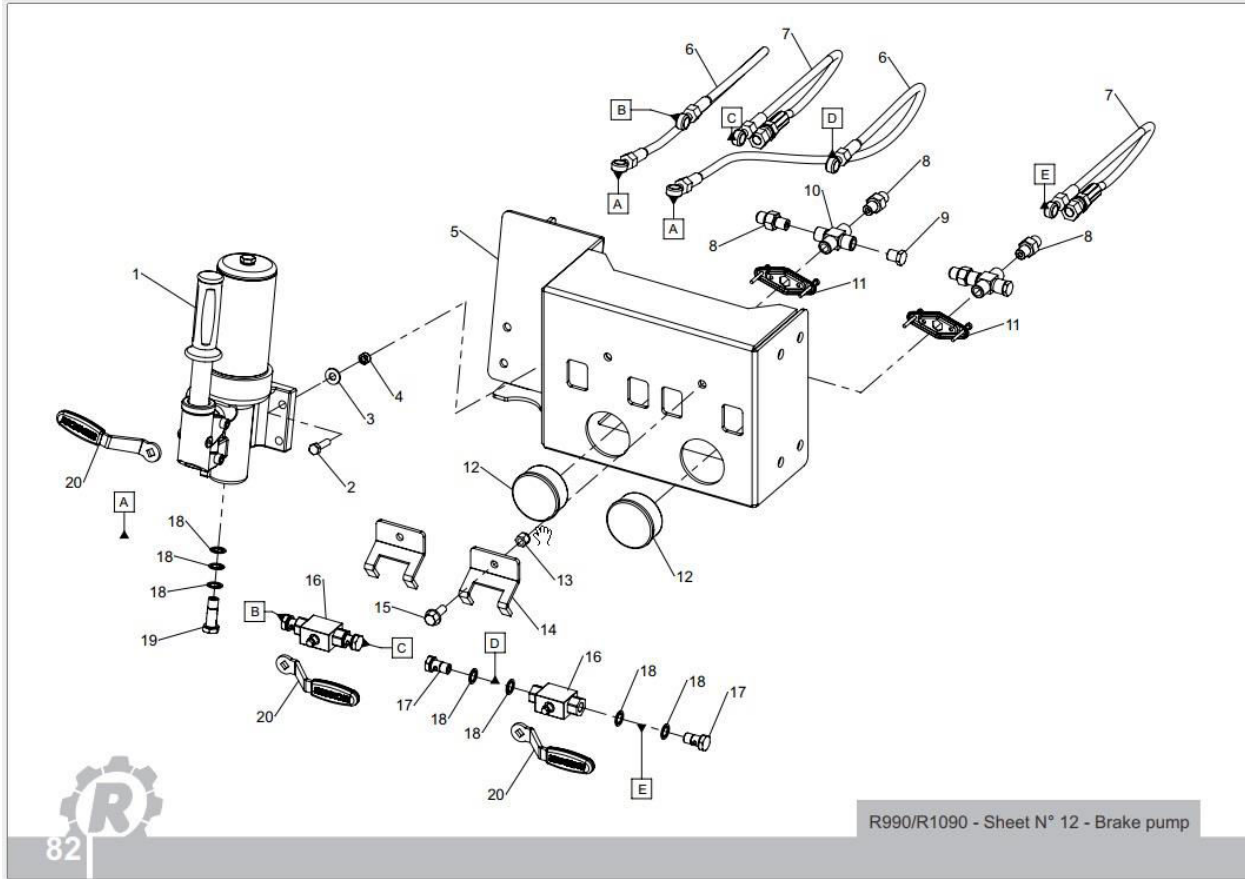


R1090 - Sheet N° 9 - Tongue & hitch			
Nº	Description	Code	Quant.
1	Tongue assy	CDEC50126A	1
2	Self locking nut BSW 3/8"	MCTU06001A	2
3	Support bracket	CDDW50025A	1
4	Hex bolt gr. 5 BSW 3/8"x1 1/4"	MCBU00008A	2
5	Screw jack	CDFH50021A	1
6	Hitch assy, rear	CDEC50206A	1
7	Disc springs 5/8" (31,5x16,3x1,75 mm)	MCAR01003A	12
8	Allen screw	MCTO10002A	6
9	Hitch assy, rear	CDEC50124A	1
10	Support bracket	CDEC00431A	1
11	Pivot pin, drawbar	CDBQ50004A	2
12	R-clip 4x100 mm	MCCH00008A	2



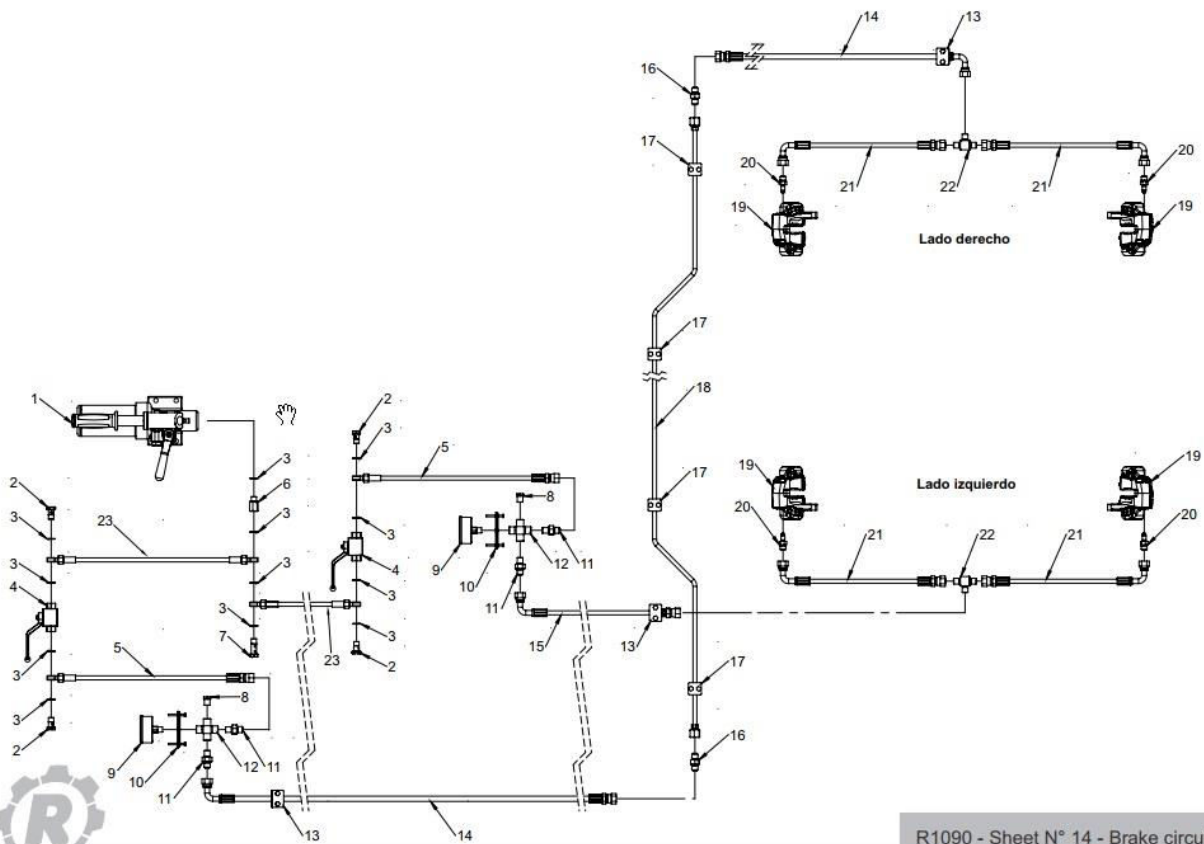
R1090 - Sheet N° 11 - Frame & wheels			
N°	Description	Code	Quant.
1	Brake piston set	MCH00016A	1
2	Brake pad set	MCH00015A	1
3	Repair kit brake caliper, rubber parts	MCH00090A	1
4	Repair kit brake caliper, metal parts	MCH00020A	1
5	Wheel assembly w/ 400/60 -15.5, 14 ply tire	MCLL50033A	2
6	Tire 400/60 -15.5, 14 ply	MCCC00040A	2
7	Wheel rim 13 -15.5 MC-196389	MCLL00040A	2
8	Hex bolt gr. 5 BSW 3/8"x7/8"	MCBU00006A	16
9	Flat washer galvanized 3/8"	MCAR00005A	24
10	Self locking nut BSW 3/8"	MCTU06001A	8
11	Mudguard	CDCP00435A	2
12	Disc springs 3/8" (20x10,2x0.8 mm)	MCAR01006A	8
13	Mudguard bracket, RH	CDEG00402A	2
14	Mudguard bracket, LH	CDEG00401A	2
15	Mudguard support base	CDEC50170A	1
16	Hex bolt gr. 5 BSW 1/2"x3/4"	MCBU00014A	6
17	Disc spring washer 1/2"	MCAR01010A	20
18	R-clip w/ring	MCCH03001A	2
19	Wingnut	CDCV50033A	2
20	Grease fitting, straight SAE 1/8"	MCAL00001A	2
21	Hex bolt gr. 5 BSW 5/8"x2"	MCBU00037A	14
22	Flat washer galvanized 5/8"	MCAR00009A	18
23	Washer 5/16 100x17	CDEC00067A	2
24	Pivot wheel support base RH	CDEC50203A	1
25	Flat washer 3/16" OD 45 / ID 18 (mm.)	CDAA42009A	24
26	Self locking nut BSW 5/8"	MCTU06005A	20
27	Tunnel frame	CDEG50122A	1
28	Support bracket	CDEG00358A	1

R1090 - Sheet N° 11 - Frame & wheels			
N°	Description	Code	Quant.
29	Hex bolt gr. 5 BSW 5/8"x2 1/4"	MCBU00038A	8
30	Hex bolt gr. 5 BSW 1/2"x1 1/2"	MCBU00026A	4
31	Flat washer galvanized 1/2"	MCAR00007A	8
32	Self locking nut BSW 1/2"	MCTU06003A	4
33	Support frame	CDCP50296A	1
34	Pivot wheel support base LH	CDEC50204A	1
35	Brake pump support base	CDEG50158A	1
36	Pivot wheel assy, RH	CDEG50171A	1
37	Hex bolt gr. 5 BSW 1/2"x1"	MCBU00024A	2
38	Drive shaft support	CDEC50040A	1
39	Hex bolt gr. 5 BSW 3/8"x1"	MCBU00007A	4
40	Hose guard	CDEG00451A	2
41	Pivot wheel assy, LH	CDEG50173A	1
42	Hex bolt gr. 5 BSW 1/2" x 4"	MCBU00086A	16
43	Hub & brake disc unit	CDEG00446A	2
44	Hex bolt gr. 5 NF 1/2"x1 1/4"	MCBU02022A	8
45	Brake caliper	MCH08002A	4
46	Oil seal 70x115x15 mm	MCRE00024A	2
47	Bearing 30212	MCR006010A	2
48	Hex bolt gr. 5 NF 5/8"x 53mm	MCBU06032A	16
49	Conical bolt, 5/8" NF galvanized	MCTU12005A	16
50	Wheel hub	CDEG00431A	2
51	Bearing 30210	MCR006008A	2
52	Flat washer 5/16" OD 66/ ID 33 mm	CDAA42081A	2
53	Castle nut NF 1 1/4"	MCTU10007A	2
54	Split pin 5.5x80 mm DIN 94	MCCH01047A	2
55	O-ring seal 88,49x95,55x3,53mm	MCRE01040A	2
56	Hub cap	CDEG00448A	2



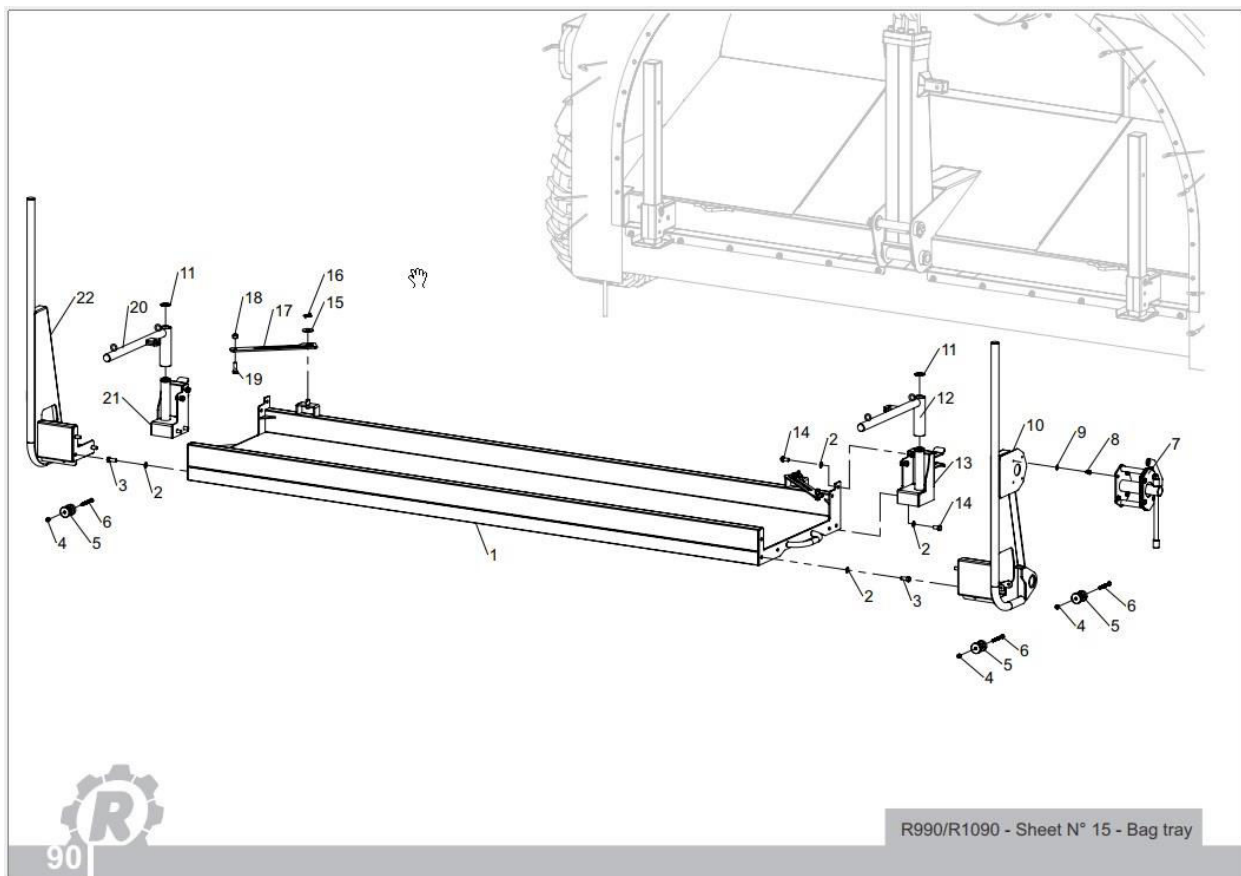
R990/R1090 - Sheet N° 12 - Brake pump

R1090 - Sheet No. 12 - Brake pump assembly			
Nº	Description	Code	Quant.
1	Brake pump	CDEV50018A	1
2	Hex bolt gr. 5 BSW 1/2"x3/4"	MCBU00002A	4
3	Flat washer galvanized 5/16"	MCAR00004A	4
4	Self locking nut BSW 5/16"	MCTU06002A	4
5	Brake pump enclosure	CDEV50013B	1
6	Hydraulic hose 1/4" SAE 100R17 AT x 520 mm	MCHI04130A	2
7	Hydraulic hose 1/4" SAE 100R17 AT x 500 mm	MCHI04118A	2
8	Adapter 9/16"male UNF x male 1/4" NPT	MCHI07157A	4
9	Threaded plug 1/4" NPT	MCHI07365A	2
10	Crosshead 1/4" (all)	MCHI07366A	2
11	Bracket, pressure gauge	MCHI07079A	2
12	Pressure gauge	MCHI07077A	2
13	Self locking nut BSW 3/8"	MCTU06001A	2
14	Flow valve bracket	CDEC00293A	2
15	Hex bolt gr. 5 BSW 3/8"x1"	MCBU00007A	2
16	Ball valve 1/4" BSP	MCHI06039A	2
17	Bolt w/opening male 1/4" x 19h BSP	MCHI07231A	4
18	Rubber metal washer 14 X 22mm	MCHI07261A	11
19	Bolt w/twin openings male 1/4" x 19h BSP	MCHI07272A	1
20	Handle assy.	CDEV50024A	3



R1090 - Sheet N° 14 - Brake circuit

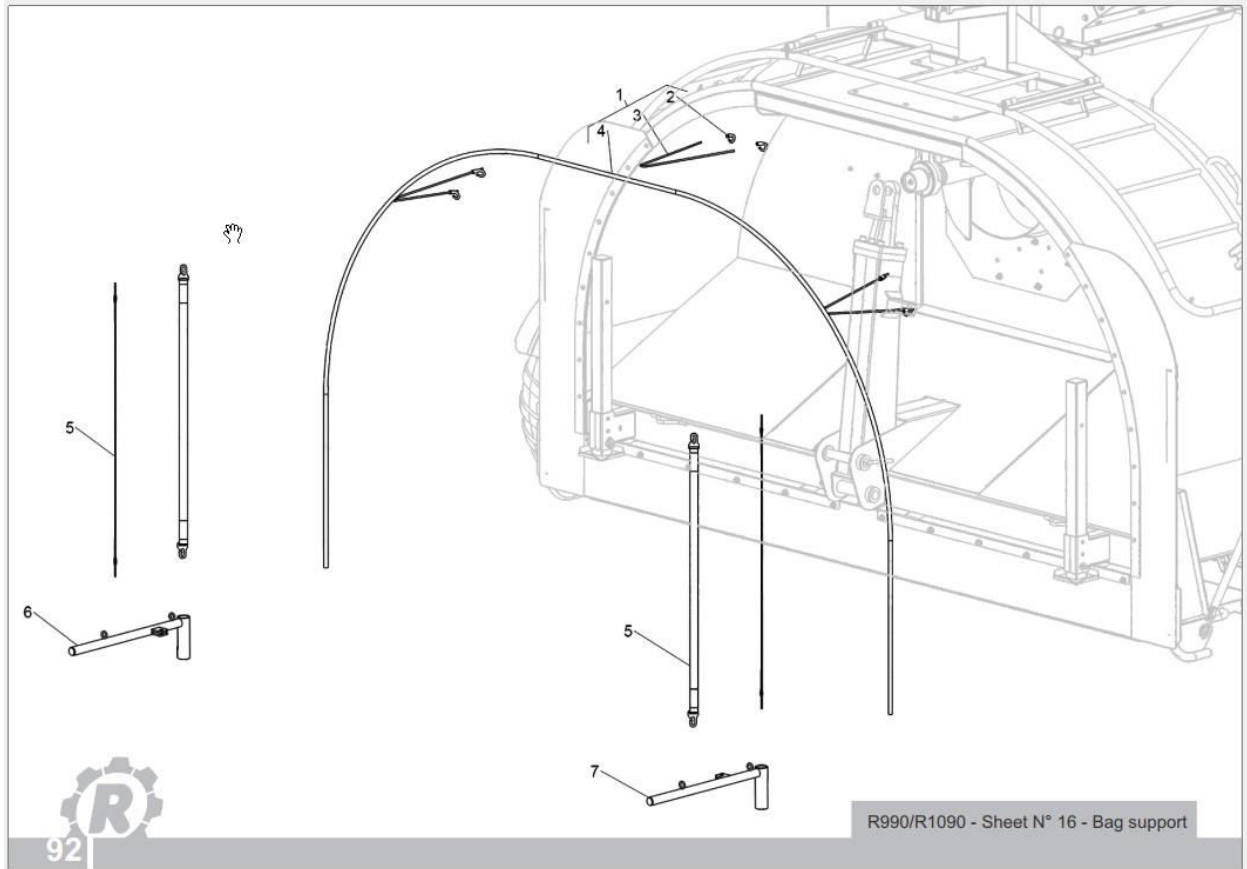
R1090 - Sheet N° 14 - Brake circuit			
Nº	Description	Code	Quant.
1	Brake pump assy.	CDEV50015A	1
2	Bolt w/opening male 1/4" x 19h BSP	MCHI07231A	4
3	Steel rubber washer 14 x 22 mm	MCHI07261A	12
4	Ball valve 1/4" BSP	MCHI06039A	2
5	Hydraulic hose 1/4" SAE 100R17 AT x 500 mm	MCHI04118A	2
6	Adapter 1/2" male x 20 UNF -H 1/4" x 19 BSP	MCHI07239A	1
7	Bolt w/twin openings male 1/4" x 19h BSP	MCHI07272A	1
8	Threaded plug 1/4" NPT	MCHI07365A	2
9	Pressure gauge	MCHI07077A	2
10	Bracket, pressure gauge	MCHI07079A	2
11	Adapter 9/16" male UNF x male 1/4" NPT	MCHI07157A	4
12	Crosshead 1/4" (all)	MCHI07366A	2
13	Plastic tubing bracket	MCHI07280A	3
14	Hydraulic hose 1/4" SAE 100R17 AT x 1450 mm	MCHI04131A	2
15	Hydraulic hose 1/4" SAE 100R17 AT x 590 mm	MCHI04122A	1
16	Adapter 9/16" male UNF JIC 37°	MCHI07274A	2
17	Plastic tubing bracket	MCHI07056A	4
18	Hydraulic hose 1/4" SAE 100R2 A T x 1700 mm	MCHI05054A	1
19	Brake caliper	MCHI08001A	2
20	Adapter 3/8" male UNF x 9/16" male UNF	MCHI07237A	4
21	Hydraulic hose 1/4" SAE 100R17 AT x 400 mm	MCHI04132A	4
22	Tee connector male 9/16" UNF JIC 37°	MCHI07140A	2
23	Hydraulic hose 1/4" SAE 100R17 AT x 520 mm	MCHI04130A	2



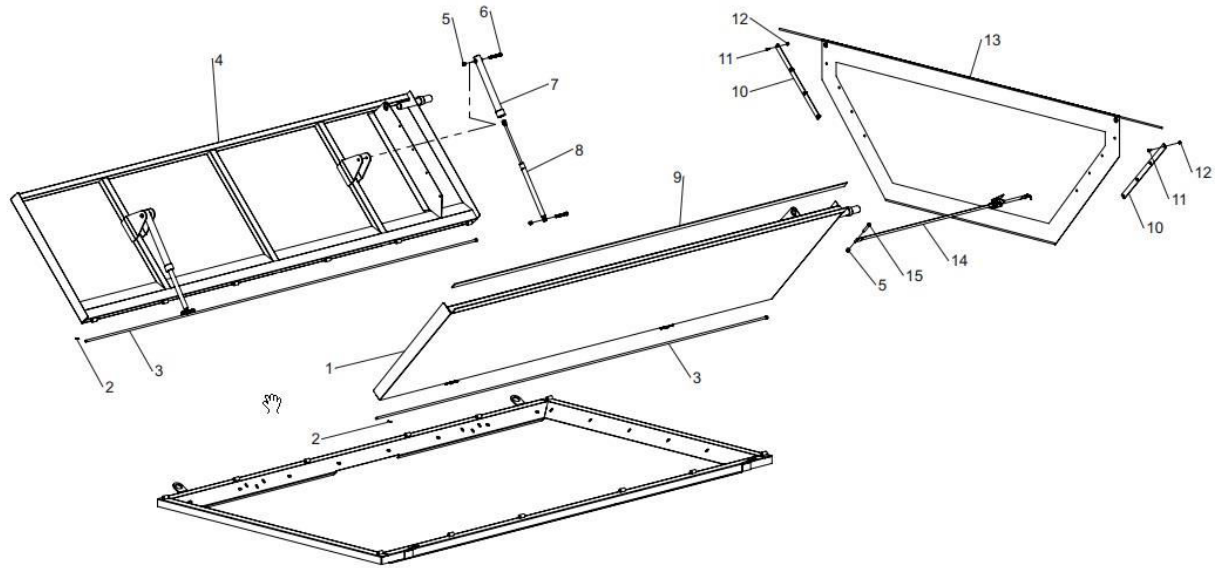
R990/R1090 - Sheet N° 15 - Bag tray



R1090 - Sheet N° 15 - Bag tray			
Nº	Description	Code	Quant.
1	Tray bottom	CDEG50126A	1
2	Disc spring washer 1/2"	MCAR01010A	10
3	Hex bolt gr. 5 BSW 1/2"x1 1/4"	MCBU00003A	6
4	Self locking nut BSW 3/8"	MCTU06001A	4
5	Roldana cuerda bandeja	CDFC00351A	4
6	Hex bolt gr. 5 BSW 3/8"x3 1/4"	MCBU00015A	4
7	Tensor de cuerda	CDFC50127A	1
8	Hex bolt gr. 5 BSW 3/8"x1/2"	MCBU00062A	4
9	Disc springs 3/8" (20x10,2x0.8 mm)	MCAR01006A	4
10	Tray deflector, RH	CDEG50195A	1
11	Snap ring 40A DIN471	MCSE01012A	2
12	Bag support bracket, RH	CDEC50169A	1
13	Tray fastening bracket, RH	CDEG50152A	1
14	Hex bolt gr. 5 BSW 1/2"x1"	MCBU00024A	4
15	Flat washer 3/16" OD 45/ ID 16 mm	CDAA42019A	2
16	R-clip w/ring	MCCH03001A	2
17	Bag support arm	CDEC00577A	2
18	Self locking nut BSW 1/2"	MCTU06003A	2
19	Hex bolt gr. 5 BSW 1/2"x1 1/2"	MCBU00026A	2
20	Bag support bracket, LH	CDEC50168A	1
21	Tray fastening bracket, LH	CDEG50153A	1
22	Tray deflector, LH	CDEG50194A	1



R1090 - Sheet N° 16 - Bag support			
N°	Description	Code	Quant.
1	Rope harness	CDEC50207A	1
2	Plastic hook	MCES00003A	8
3	Polypropylene rope 6 x 2500 mm	CDEC00580A	4
4	Polypropylene rope 16 x 8000 mm	CDBQ00128A	1
5	Strap w/fasteners	CDEC50121A	4
6	Bag support bracket, LH	CDEC50168A	1
7	Bag support bracket, RH	CDEC50169A	1



R1090 - Sheet N°18 - Hopper

R1090 - Sheet N° 18 - Hopper			
Nº	Description	Code	Quant.
1	Hopper cover, front	CDEG50184A	1
2	Split pin 2x20 mm DIN 94	MCCH01002A	2
3	Cover hinge	CDEC50201A	2
4	Hopper cover, rear	CDEG50183A	1
5	Self locking nut BSW 3/8"	MCTU06001A	85
6	Hex bolt gr. 5 BSW 3/8"x3"	MCBU00068A	8
7	Covers gas shock	CDEG50187A	4
8	Gas shock	MCRS04006A	4
9	Cover gasket	CDEC00573A	1
10	Tarp tightener	CDEG00391A	2
11	Trusshead screw BSW galvanized 1/4" x 3/4"	MCTO03003A	8
12	Self locking nut BSW 1/4"	MCTU06004A	8
13	Tarp	CDEC00292A	1
14	Cable attach assy	MCES02040A	1
15	Hex bolt gr. 5 BSW 3/8"x2"	MCBU00012A	1