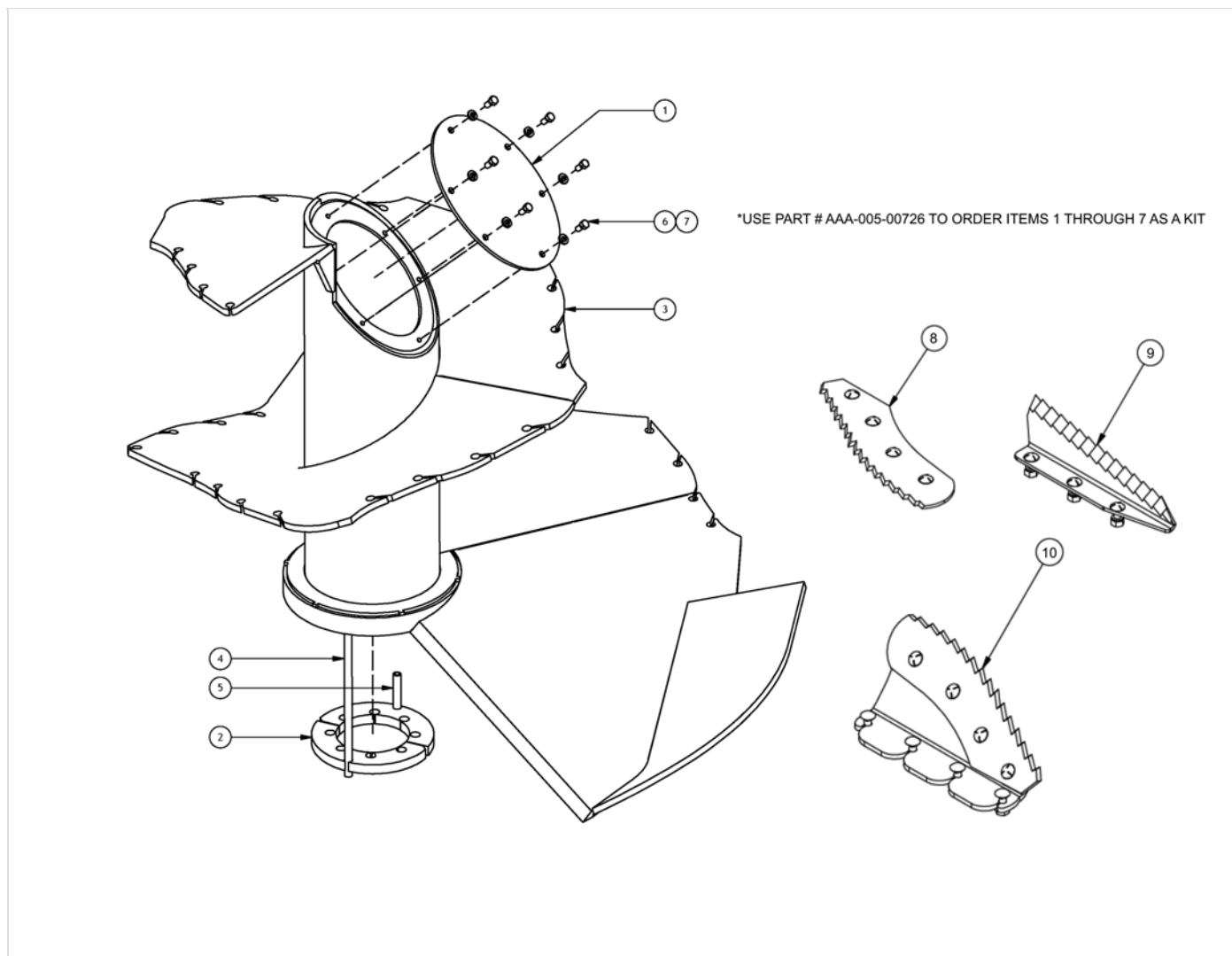
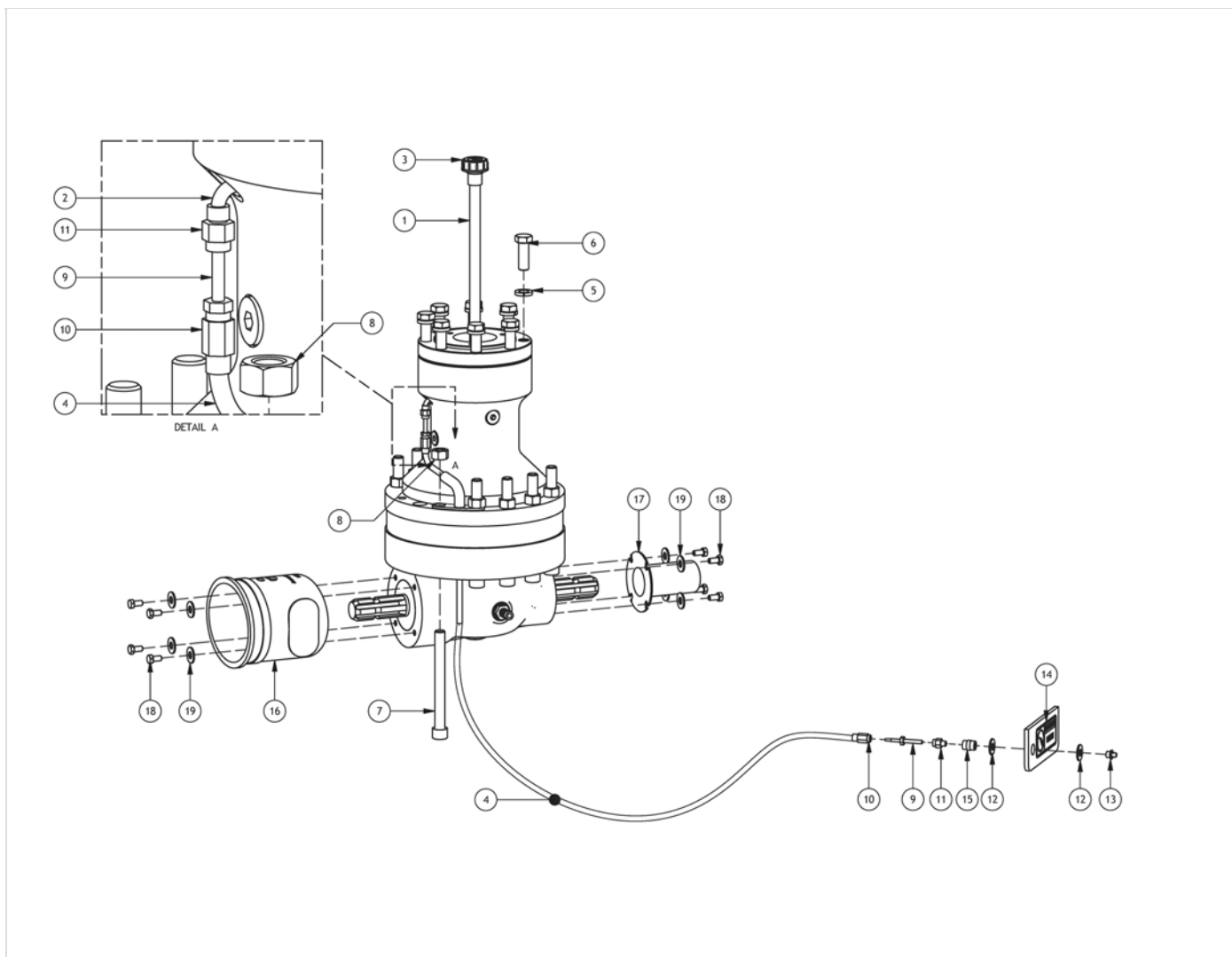

5150 stationary mixer

Table of Contents

Book Page	Page Number
Auger	
Auger	2
Driveline	
Gearbox	3
Lube System	5
PTO 1025	6
Drum	
Extensions	7
Viewing Window	8
Restrictor Blade	9
Door	10
Door Arm	12
Door Hydraulics	13
Door Chute	14
Electrical	
Scale System	15
Frame	
Drum Feet	16
Platform Exterior	17
Platform Interior	19

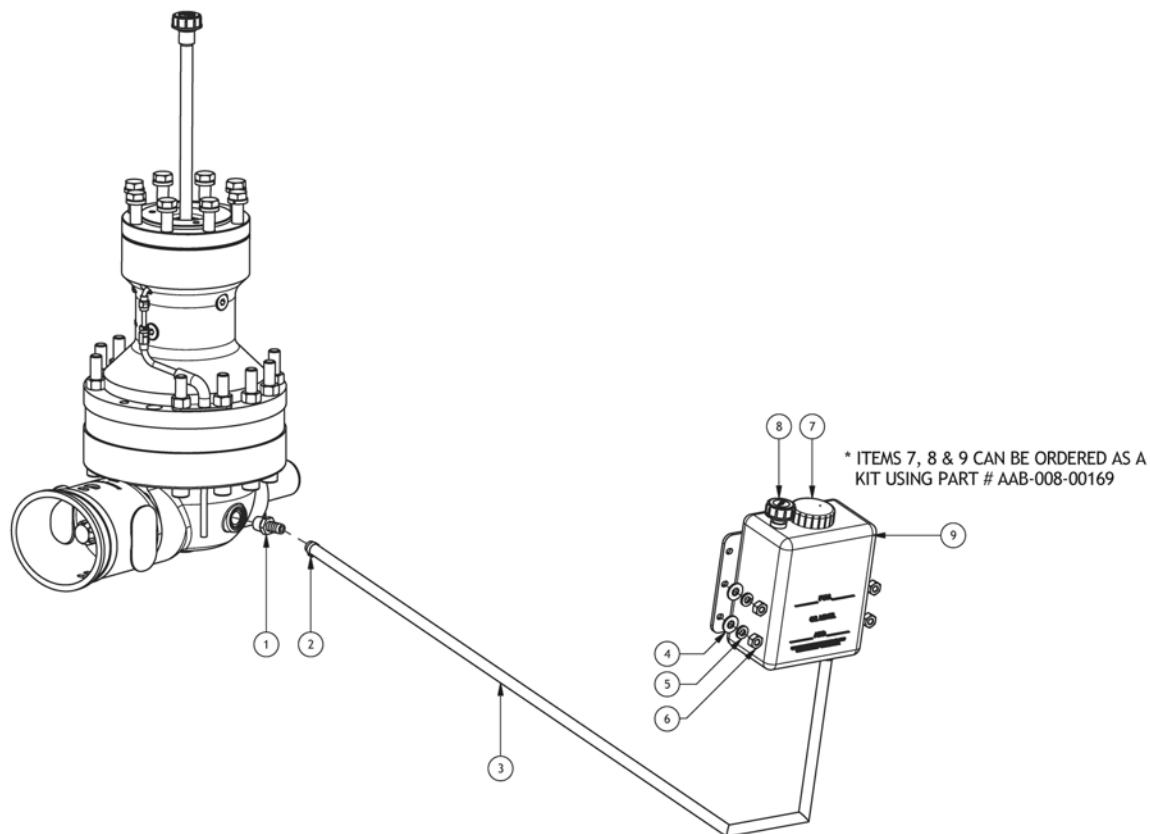


Pos	SKU	Description	Qty	Remark
1	AAA-005-00716	BOLT ON 72IN AUGER CAP 1/4T	1	
2	AAA-005-00723	GRBX TO AUGER FASTENING RING FOR 72IN AUGER 3/4T	2	
3	AAA-005-00725	5000 SERIES AUGER CUTTING 72DIA STEP	1	
4	AAA-005-00978	AUGER PIPE SCH 40 1/4 IN PIPE 14-1/2 IN LONG	1	
5	AAA-005-00979	AUGER PIPE SCH 40 1/4 IN PIPE 4 IN LONG	1	
6	AAB-015-10240	BOLT HEX 3/8 X 3/4 UNC GRD 5	6	
7	AAB-015-30017	WSHR LOCK 3/8	6	
8	AAA-005-00226	STANDARD KNIFE KIT (INCL HARDWARE)	8	
8	AAA-005-01028	STANDARD 10 KNIFE KIT (INCL HARDWARE)	1	
9	AAA-005-00225	VERTICAL KNIFE KIT (INCL HARDWARE)	1	
10	AAA-005-00224	ALEXANDER KNIFE KIT (INCL HARDWARE)	1	
11	AAA-005-00726	5000 SERIES AUGER ASSY 72DIA STEP	1	

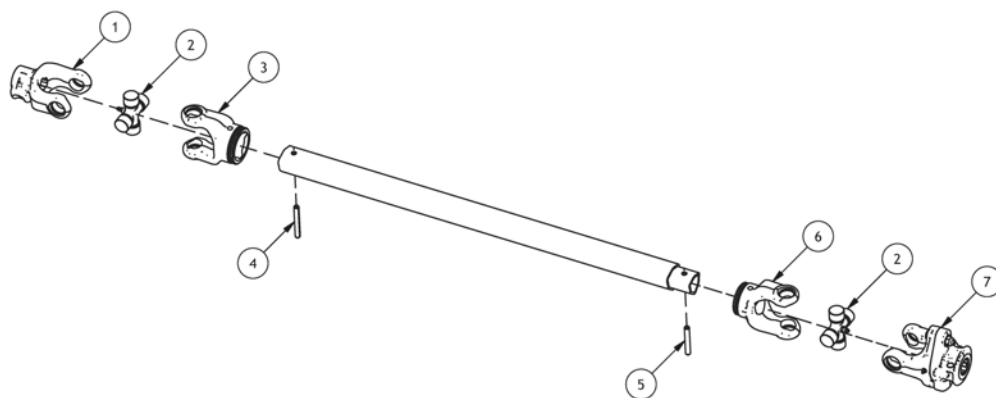


Pos	SKU	Description	Qty	Remark
1	AAB-008-00124	STL BREATHER EXTENSION 12L (MALE 3/8G - 6 FNPT)	1	
2	AAB-008-00164	G 1/8 PUSHLOCK FITTING 90° 6MM (04061589)	1	
3	AAB-008-00034	BREATHER OPEN 40 MICRON 3/8 NPT	1	
4	AAB-008-00166	840 BAR 6MM GREASE LINE (100120201)	1	
5	AAB-015-30019	WSHR LOCK 5/8	8	
6	AAB-015-10233	BOLT HEX 16MM X 40MM GR 10.9	8	
7	AAB-015-10234	SOCKET CAP 5/8 X 6 UNC GRD 8	10	
8	AAB-015-20013	NUT HEX 5/8 UNC GRD 5	10	
9	AAB-015-40045	8.3 HOSE END STUD (STRAIGHT) 30 MM (100121191)	1	
10	AAB-015-40046	THREADED FERRULE FOR HOSE END STUD (100121200)	1	
11	AAB-015-40047	CONNECTOR 6MM TUBE X 1/8 BSP (04062348)	1	
12	AAB-015-30012	WSHR FLAT 3/8 USS	2	
13	AAB-008-00031	FIT GREASE NIPPLE X 2 MNPT	1	
14	AAB-012-00044	DECAL IMPORTANT GREASE	1	
15	AAB-008-00030	FIT 2 FNPT X 2 FNPT	1	
16	AAB-007-00817	IICS/CONE BLACK WITH RUBR EXT (517000E03)	1	

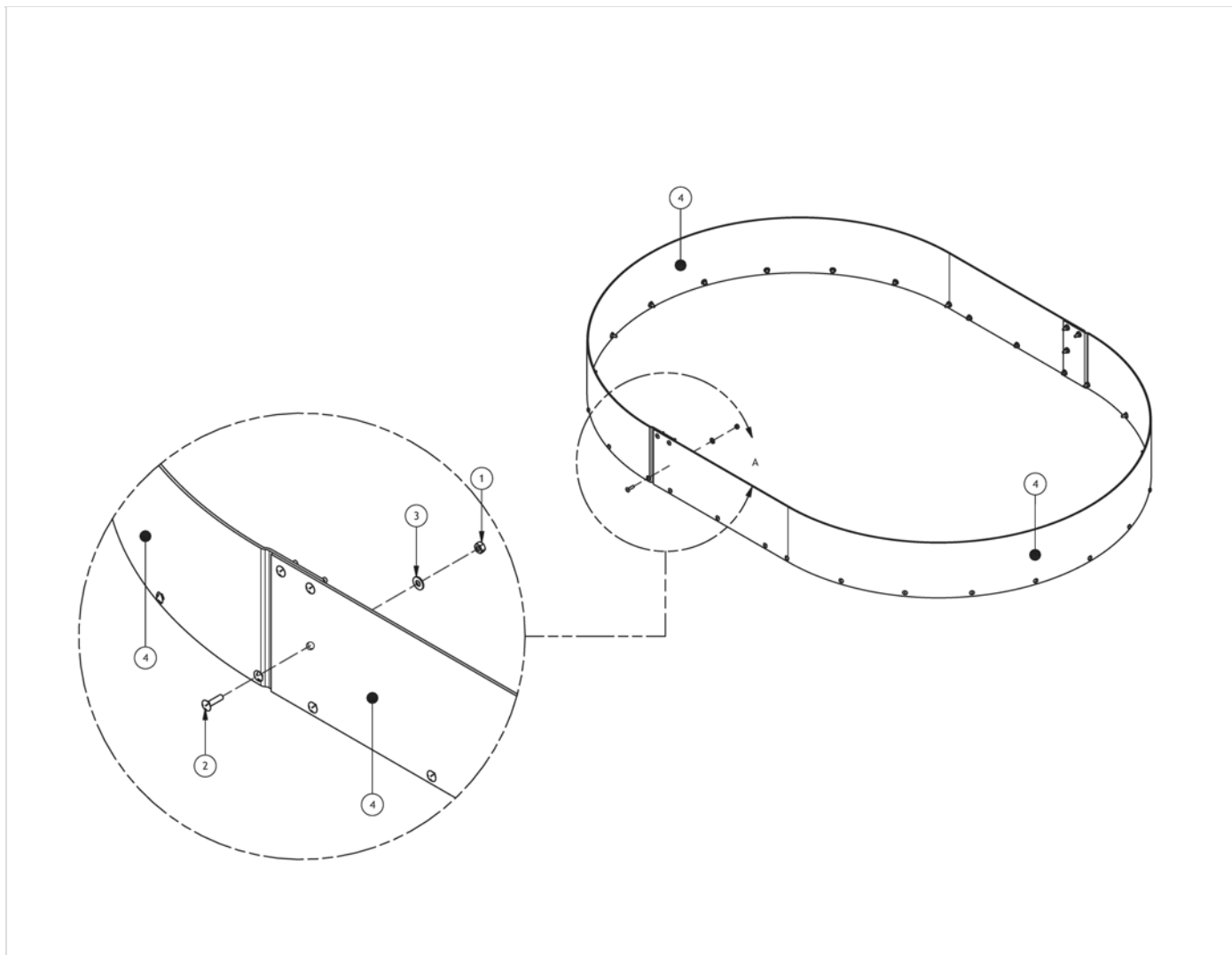
Pos	SKU	Description	Qty	Remark
17	AAB-007-00171	SHIELD FOR REAR SHAFT ON THROUGH SHAFT GRBX	1	
18	AAB-015-10078	BOLT HEX 8MM X 16MM GRD 8.8	8	
19	AAB-015-30012	WSHR FLAT 3/8 USS	8	



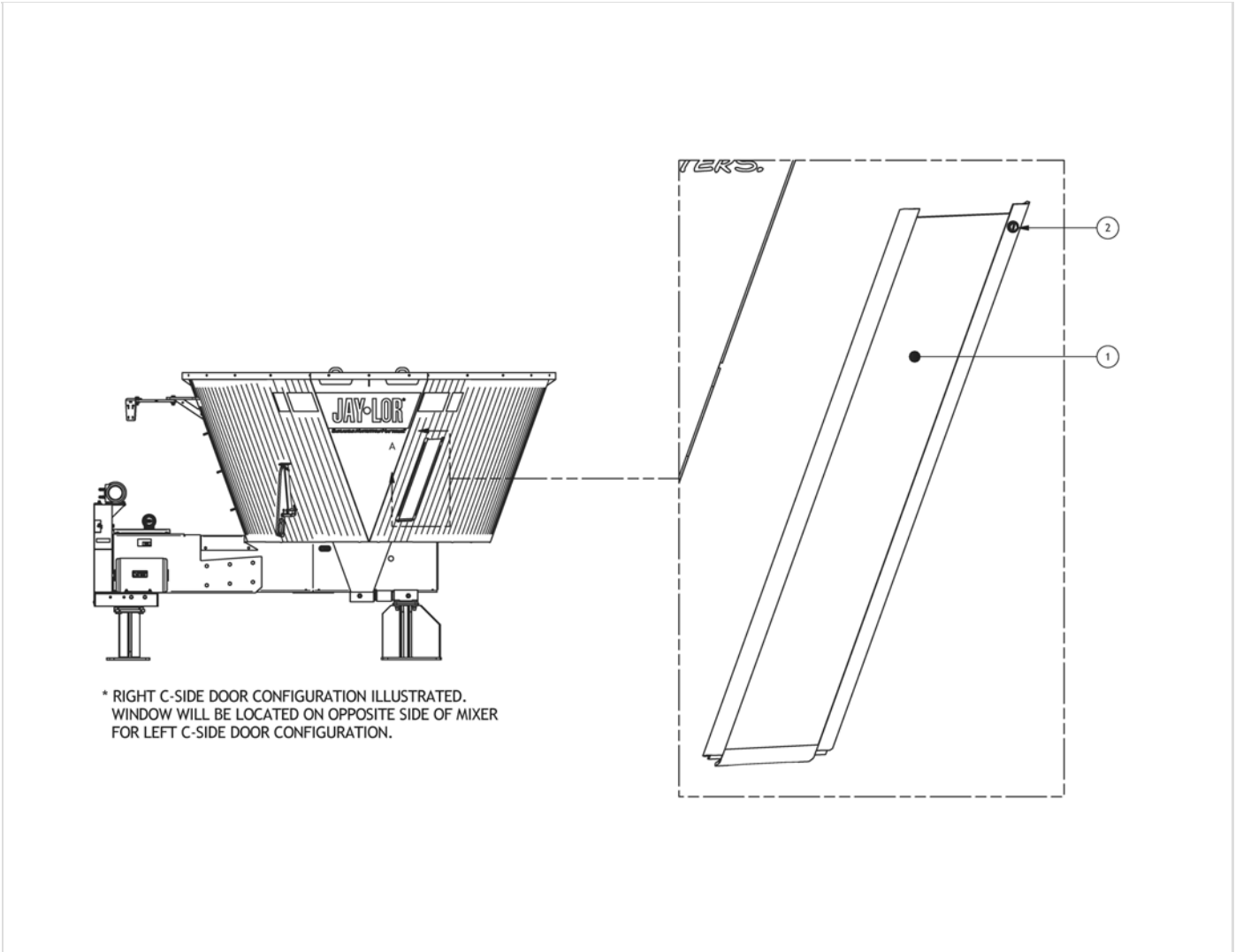
Pos	SKU	Description	Qty	Remark
1	AAB-008-00127	FIT 8 MNPT X 1/2" BARB	1	
2	AAB-015-40006	CLAMP ONE EAR 11/16	2	
3	AAA-008-00016	HOSE LWR OIL RSVR	1	
4	AAB-015-30012	WSHR FLAT 3/8 USS	4	
5	AAB-015-30017	WSHR LOCK 3/8	4	
6	AAB-015-20017	NUT HEX 3/8 UNC GRD 2	4	
7	AAB-008-00001	CAP VENTED PLASTIC RSVR 2-1/4DIA	1	
8	AAB-008-00034	BREATHER OPEN 40 MICRON 3/8 NPT	1	
9	AAB-008-00168	5275/5150 OIL RSVR 3QT PLASTIC TNK	1	
10	AAB-008-00169	5275/5150 OIL RSVR 3QT ASSY PLASTIC TNK (WITH BREATHER)	1	



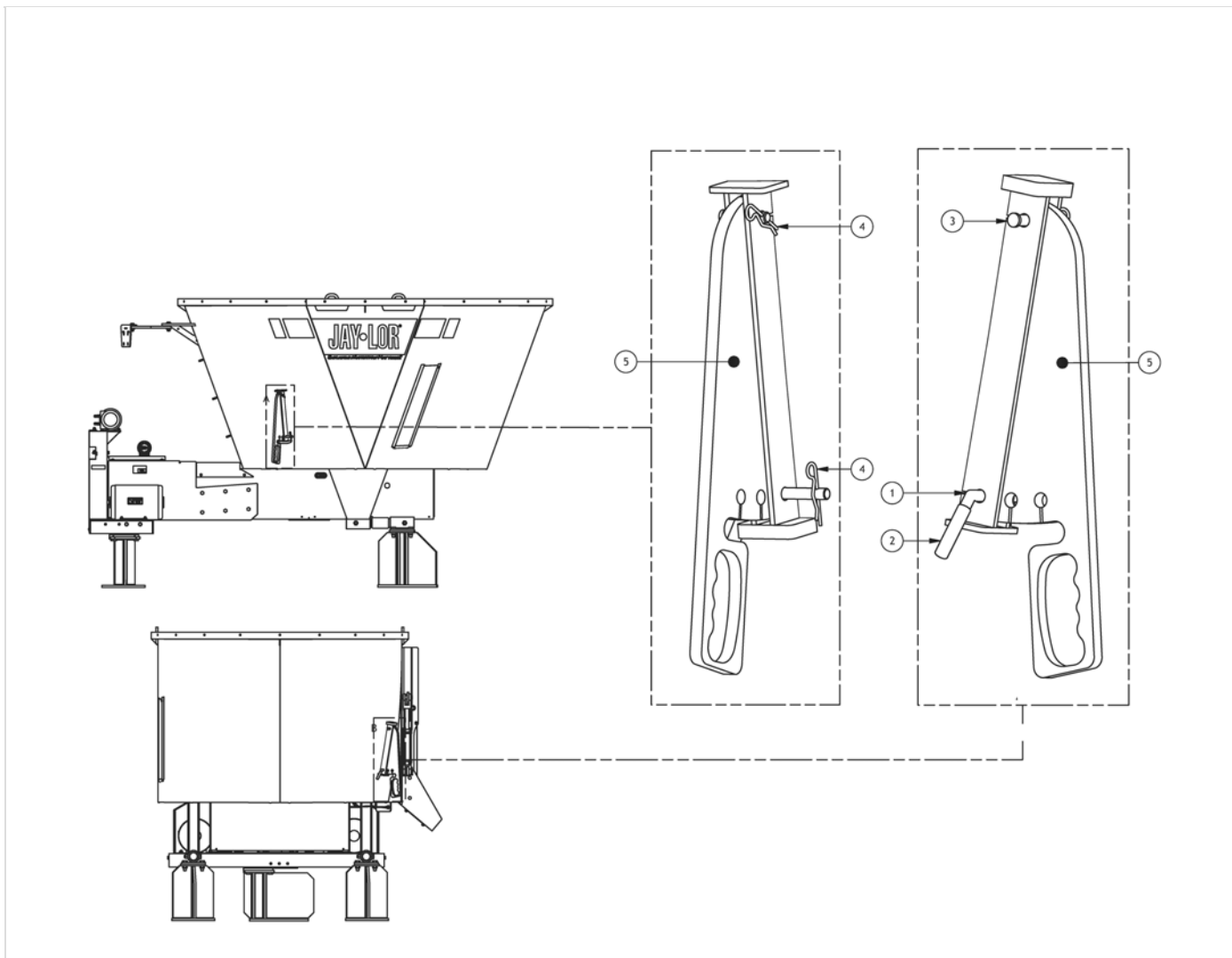
Pos	SKU	Description	Qty	Remark
1	AAB-007-01041	NUM 5 PTO YOKE 1-3/8 Z6 (SB500138)	1	
2	AAB-007-01030	NUM 5 PTO CROSS KIT (EG50)	2	
3	AAB-007-01035	NUM 5 PTO OUTER YOKE (1FOES500X)	1	
4	AAB-007-01036	ROLL PIN 10X85mm (10X85)	1	
5	AAB-007-01240	10X70 1485DIN ROLL PIN (6331070)	1	
6	AAB-007-01034	NUM 5 PTO INNER YOKE (1FOIN500X)	1	
7	AAB-007-01037	NUM 5 PTO YOKE W/ SHEAR BOLT 1-3/4 Z20 (A500120)	1	
8	AAB-007-01029	NUM 5 PTO SHIELD (PS001-50-845)	1	
9	AAB-007-01025	PTO NUM 5 1-3/8" F 6SP X 1-3/4" F 20SP X 51.5"/77.25" W/ SHEAR BOLT	1	



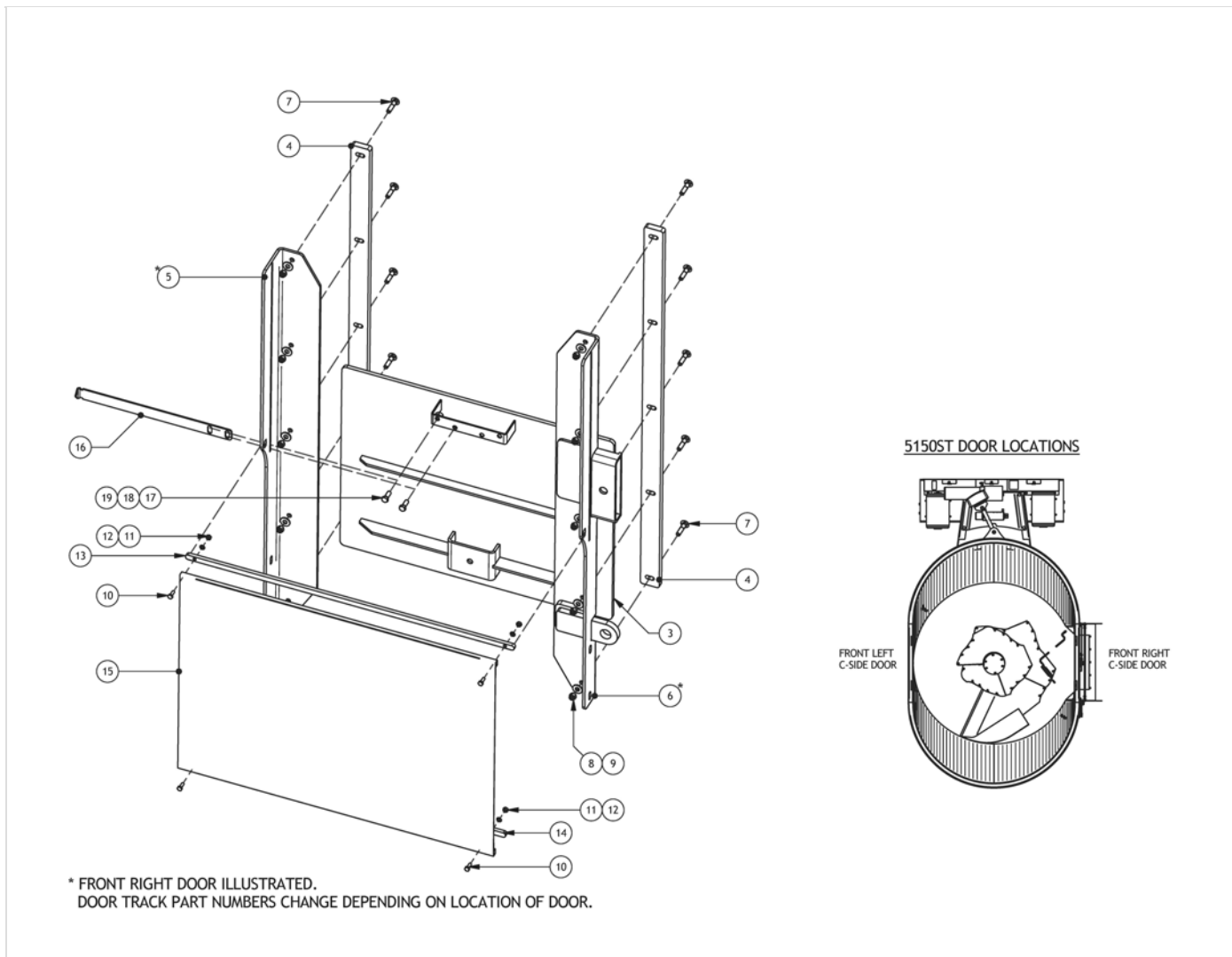
Pos	SKU	Description	Qty	Remark
1	AAB-015-20017	NUT HEX 3/8 UNC GRD 2	34	
2	AAB-015-10061	BOLT CARRIAGE 3/8 X 1-1/2 UNC GRD 5	34	
3	AAB-015-30012	WSHR FLAT 3/8 USS	34	
4	AAB-001-00057	HDPE EXT BLACK/ UV STABILIZED/ 12H X 0.22T X 159L	2	



Pos	SKU	Description	Qty	Remark
1	AAB-001-00037	WNDW VIEWING	1	
2	AAB-015-10144	BOLT HEX SELF-TAPPING 1/4-20 X 1/2L GRD 5	1	

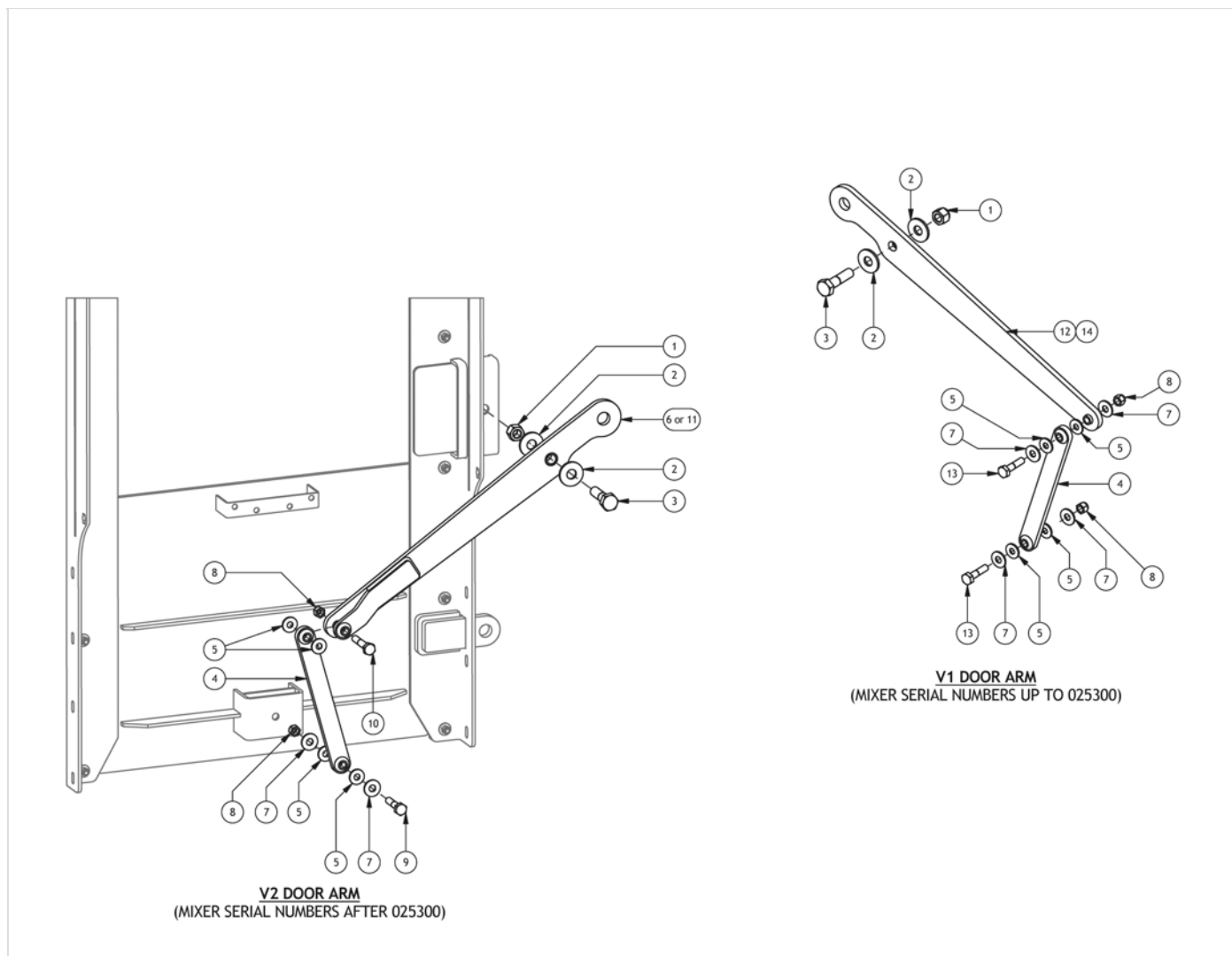


Pos	SKU	Description	Qty	Remark
1	AAB-001-00020	PIN BENT ADJUSTMENT 1/2 X 3-5/8 FOR RB	1	
2	AAB-015-40009	GRIP ADJUSTMENT PIN VINYL 1/2 X 2-1/2	1	
3	AAB-001-00017	PIN PIVOT 1/2 X 2	1	
4	AAB-001-00019	PIN HTCH CLIP 1/8 X 2-9/16	2	
5	AAA-001-02121-P3	RB (5150/5275) (PAINTED)	1	
6	AAA-001-02835	RESTRICTOR BLADE KIT (5150/5275)	1	NOT PICTURED

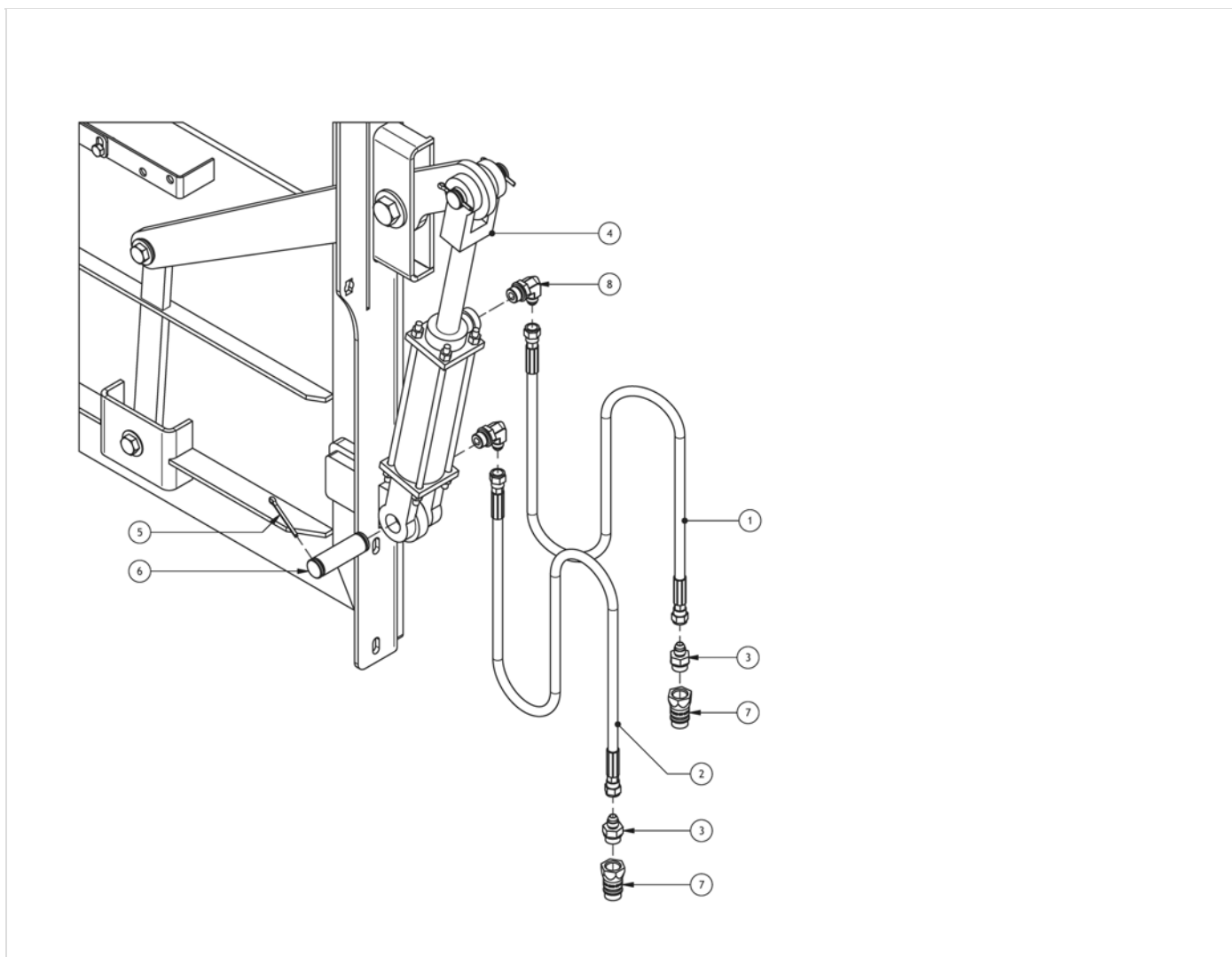


Pos	SKU	Description	Qty	Remark
3	AAA-001-02093	C-SIDE DOOR WELDMENT (5275)	1	
4	AAA-001-02088	C-SIDE DOOR SPCR 5/8T (5275)	2	
5	AAA-001-02081	C-SIDE DOOR TRACK FRT RTH OR REAR LTH 1/4T (5275)	1	FRONT RTH OR REAR LTH DOOR
5	AAA-001-02097	C-SIDE DOOR TRACK FRT LTH OR REAR RTH (5275)	1	FRONT LTH OR REAR RTH DOOR
6	AAA-001-02087	C-SIDE DOOR TRACK FRT RTH OR REAR LTH WELDMENT (5275)	1	FRONT RTH OR REAR LTH DOOR
6	AAA-001-02099	C-SIDE DOOR TRACK FRT LTH OR REAR RTH WELDMENT (5275)	1	FRONT LTH OR REAR RTH DOOR
7	AAB-015-10171	BOLT CARRIAGE 3/8 X 1-3/4 UNC GRD 5	10	
8	AAB-015-20012	NUT HEX 3/8 LOCK NYLON GRD 2	10	
9	AAB-015-30012	WSHR FLAT 3/8 USS	10	
10	AAB-015-10089	BOLT HEX 1/4 X 3/4 GRD 5	4	
11	AAB-015-20036	NUT HEX 1/4 UNC GRD 5	4	
12	AAB-015-30025	WSHR FLAT 1/4 USS	4	

Pos	SKU	Description	Qty	Remark
13	AAA-001-02105	C-SIDE SHIELD UPPR CROSS BAR 35L X 3/8T (5150/5275)	1	
14	AAA-001-02106	C-SIDE SHIELD LWR CROSS BAR 33.625L X 3/8T (5150/5275)	1	
15	AAB-001-00051	C-SIDE TARP DISCHARGE SHIELD 40 OZ (5275)	1	
16	AAA-001-02115-P3	C-SIDE DOOR HEIGHT INDICATOR 1/8T (5150/5275)	1	
17	AAB-015-10056	BOLT HEX 3/8 X 1 UNC GRD 2	2	
18	AAB-015-30017	WSHR LOCK 3/8	2	
19	AAB-015-20017	NUT HEX 3/8 UNC GRD 2	2	

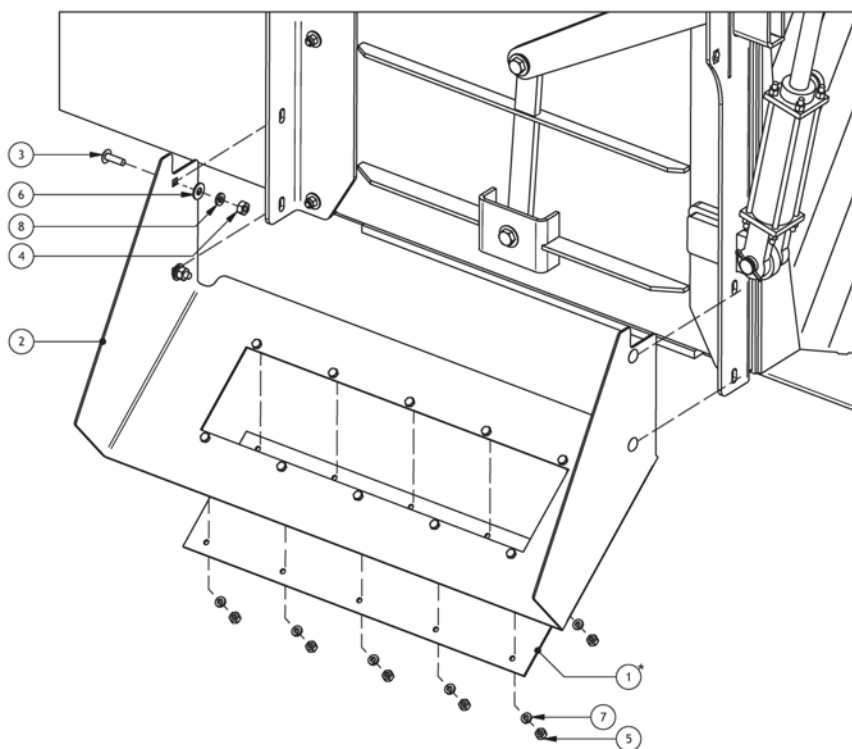


Pos	SKU	Description	Qty	Remark
1	AAB-015-20016	NUT HEX LOCK NYLON 3/4 UNC GRD 8	1	
2	AAB-015-30015	WSHR FLAT 3/4 USS	2	
3	AAB-015-10079	BOLT HEX 3/4 X 3 UNC GRD 5	1	
4	AAA-001-02977-P3	DOOR LINKAGE W/BUSHINGS PAINTED (5150/5275)	1	
5	AAB-015-30034	WSHR NYLON 1/2ID X 1-1/4OD X 1/8T	4	
6	AAA-001-02971-P3	DOOR ARM W/ BUSHINGS PAINTED (FRT RTH OR REAR LTH) (5150/5275)	1	
7	AAB-015-30013	WSHR FLAT 1/2 USS	2	
8	AAB-015-20019	NUT NYLON LOCK 1/2 UNC GRD 5	2	
9	AAB-015-10088	BOLT HEX 1/2 X 2-1/2 UNC GRD 5	1	
10	AAB-015-10085	BOLT HEX 1/2 X 3 UNC GRD 5	1	
11	AAA-001-02972-P3	DOOR ARM W/ BUSHINGS PAINTED (FRT LTH OR REAR RTH) (5150/5275)	1	
12	AAA-001-02108-P3	DOOR ARM FRT LTH & REAR RTH (5275) (BLACK)	1	
13	AAB-015-10133	BOLT HEX 1/2-13 X 2-1/4 GRD 5	2	
14	AAA-001-02101-P3	DOOR ARM FRT RTH & REAR LTH (5275) (BLACK)	1	



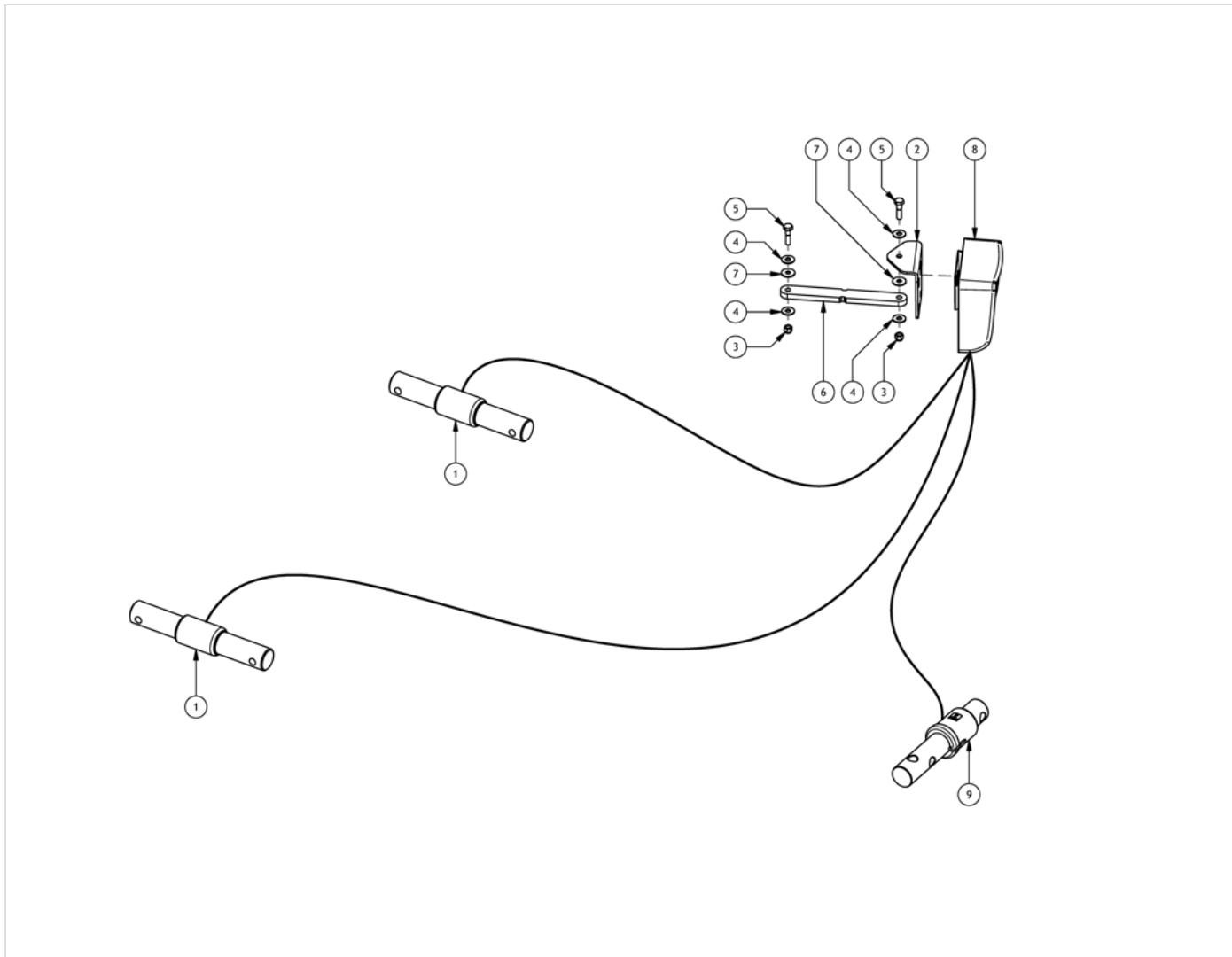
Pos	SKU	Description	Qty	Remark
1	AAA-009-00948	HOSE HYD 1/4DIA SINGLE BRAID 6 FJIC SWIVEL X 6 FJIC SWIVEL 170L	1	
2	AAA-009-00949	HOSE HYD 1/4DIA SINGLE BRAID 6 FJIC SWIVEL X 6 FJIC SWIVEL 159L	1	
3	AAB-009-00074	FIT ADPT 6 MJIC X 8 MORB	2	
4	AAB-009-00230	HYD CYDR 6 STROKE X 2DIA	1	
5	AAB-007-00149	PIN COTTER 3/16 X 1-3/4	4	
6	AAB-015-00002	CLEVIS PIN FOR 12IN HYD CYDR	2	
7	AAB-009-00322	FIT ADPT 8 MQDC X 8 FORB BALL STYLE	2	
8	AAB-009-00352	FIT 90DEG 6 MJIC X 8 MORB ADJ	2	

Kit List	
PART NUMBER	AAA-006-01179
DESCRIPTION	C-SIDE CHUTE ASSY KIT (5150/5275)
KIT CONTENTS	1 C-SIDE CHUTE 1 BLANK PLATE 4 CARRIAGE BOLTS (3/8" X 1-1/4") 10 HEX BOLTS (5/16" X 3/4") 14 LOCK WASHERS (4 - 3/8", 10 - 5/16") 4 FLAT WASHERS (3/8") 14 HEX NUTS (4 - 3/8", 10 - 5/16")
PART NUMBER	AAA-006-01180
DESCRIPTION	C-SIDE MAGNET CHUTE ASSY KIT (5150/5275)
KIT CONTENTS	1 C-SIDE CHUTE 1 MAGNET PLATE 4 CARRIAGE BOLTS (3/8" X 1-1/4") 10 HEX BOLTS (5/16" X 3/4") 14 LOCK WASHERS (4 - 3/8", 10 - 5/16") 4 FLAT WASHERS (3/8") 14 HEX NUTS (4 - 3/8", 10 - 5/16")



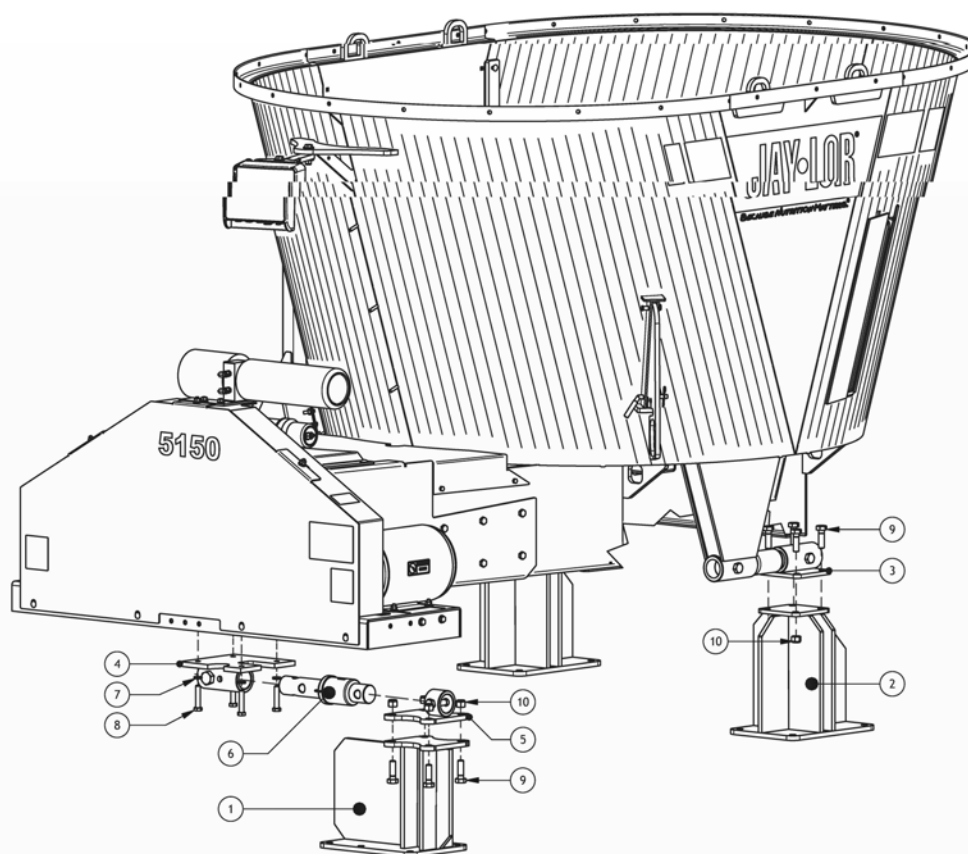
* NON-MAGNET CHUTE ILLUSTRATED.
PART NUMBER FOR MAGNET CHUTE PLATE: AAB-006-00035.

Pos	SKU	Description	Qty	Remark
1	AAA-006-00321	PLT MAGNET CHUTE BLANK 1/8T	1	
2	AAA-006-01178	C-SIDE CHUTE 1/8T (5150/5275)	1	
3	AAB-015-10060	BOLT CARRIAGE 3/8 X 1-1/4 UNC GRD 2	4	
4	AAB-015-20017	NUT HEX 3/8 UNC GRD 2	4	
5	AAB-015-20020	NUT HEX 5/16 UNC GRD 2	10	
6	AAB-015-30012	WSHR FLAT 3/8 USS	4	
7	AAB-015-30016	WSHR LOCK 5/16	10	
8	AAB-015-30017	WSHR LOCK 3/8	4	
9	AAA-006-01179	C-SIDE CHUTE ASSY KIT (5150/5275)	1	
10	AAA-006-01180	C-SIDE MAGNET CHUTE ASSY KIT (5150/5275)	1	
11	AAB-006-00035	MAGNET PLATE 25 X 8 X 1	1	

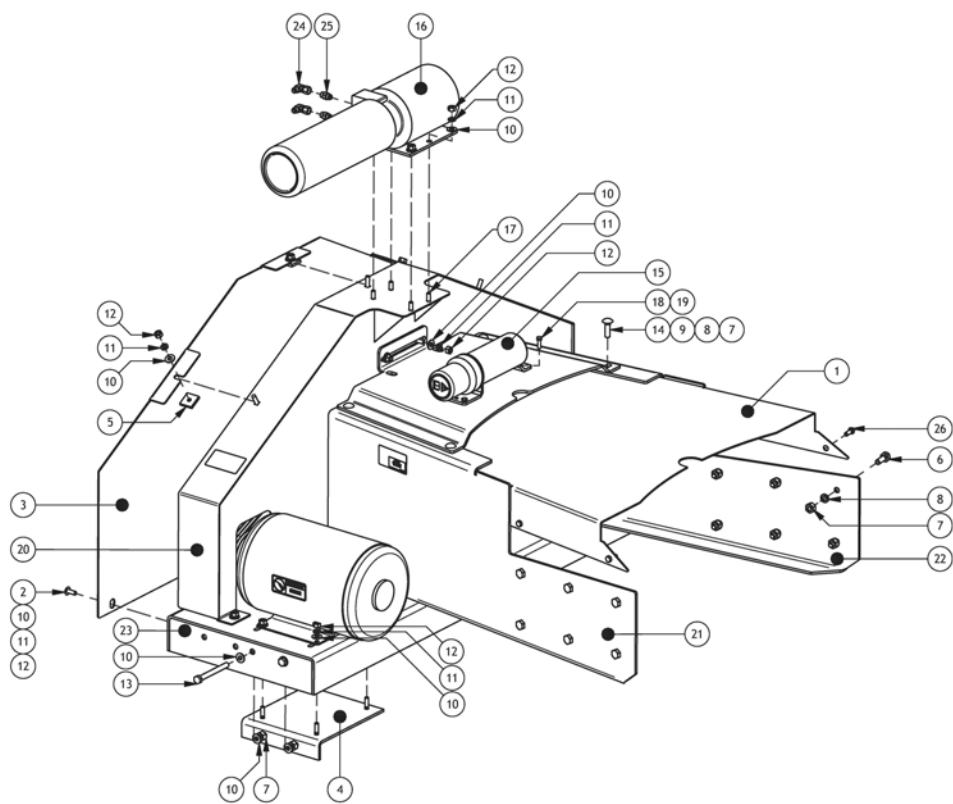


Pos	SKU	Description	Qty	Remark
1	AAB-010-00419	DG WB 2.5 DIA X 16.929 L	2	
2	AAA-010-00048	SCALE HEAD MNT BRKT (PAINTED)	1	
3	AAB-015-20019	NUT NYLON LOCK 1/2 UNC GRD 5	2	
4	AAB-015-30013	WSHR FLAT 1/2 USS	4	
5	AAB-015-10064	BOLT HEX 1/2 X 2 UNC GRD 5	2	
6	AAA-002-00995	SCALE HEAD SWING ARM 5/8T (PAINTED)	1	
7	AAB-000-00004	TPR RUBR WSHR 1-1/2OD X 1/2ID X 1/8T BLACK	2	
8	AAB-010-00197	DG INDICTR - STAD 04	1	
9	AAB-010-00194	DG WB 2-1/2DIA X 15-1/4L	1	

Use;

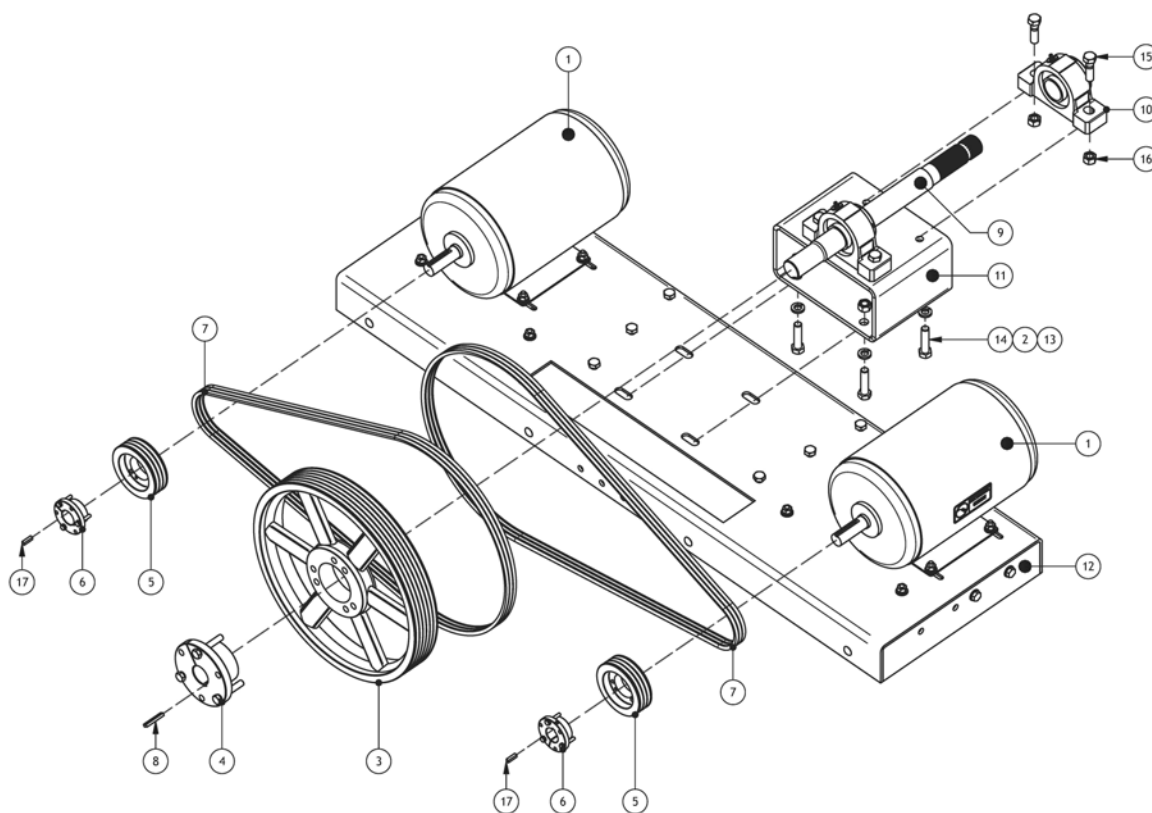


Pos	SKU	Description	Qty	Remark
1	AAA-002-02605-P3	5150 STATIONARY FRT FOOT PAINTED	1	
2	AAA-002-02612-P3	5150/5275 STATIONARY FOOT PAINTED	2	
3	AAA-002-02045	AXLE WB SUPT WELDMENT 2.5ID X 7.125L (5275)	2	
4	AAA-002-00453	HITCH BAR MOUNTING PLT	1	
5	AAA-002-01125	WB HITCH TUBE 5000 SERIES	1	
6	AAB-010-00194	DG WB 2-1/2DIA X 15-1/4L	3	
7	AAB-015-30019	WSHR LOCK 5/8	4	
8	AAB-015-10040	BOLT HEX 5/8 X 3 UNC GRD 8	4	
9	AAB-015-10134	BOLT HEX 3/4 X 2-1/2 UNC GRD 8	12	
10	AAB-015-20016	NUT HEX LOCK NYLON 3/4 UNC GRD 8	12	



Pos	SKU	Description	Qty	Remark
1	AAA-002-02140	DRIVELINE SHIELD (5150ST)	1	
2	AAB-015-10028	BOLT CARRIAGE 3/8-16 X 1 GRD 5	4	
3	AAA-002-00442	BELT DRIVE ACCESS COVER 1/8T (PAINTED)	1	
4	AAA-002-00455	MOTOR SLIDE	2	
5	AAA-006-00135	SPCR PLASTIC 1/4T	3	
6	AAB-015-10063	BOLT HEX 1/2 X 1-1/2 UNC GRD 5	18	
7	AAB-015-20011	NUT HEX 1/2 UNC GRD 5	26	
8	AAB-015-30018	WSHR LOCK 1/2	22	
9	AAB-015-30013	WSHR FLAT 1/2 USS	10	
10	AAB-015-30012	WSHR FLAT 3/8 USS	33	
11	AAB-015-30017	WSHR LOCK 3/8	25	
12	AAB-015-20017	NUT HEX 3/8 UNC GRD 2	25	
13	AAA-006-00352	TIGHTENER ROD CNVR BRNG 1/2" x 5" (FULL THREAD)	4	
14	AAB-015-10087	BOLT CARRIAGE 1/2 X 1-3/4 UNC GRD 5	4	
15	AAB-002-00001	MANUAL HOLDER	1	

Pos	SKU	Description	Qty	Remark
16	AAB-009-00378	HYD POWER PACK 2HP/ 0.91GPM/ 2850PSI RELIEF/ 3 POSITION DG17V38C60 TANDEM VALVE KMC17/P12/R42/N11/C08/B11/KH	1	
17	AAB-015-10056	BOLT HEX 3/8 X 1 UNC GRD 2	4	
18	AAB-015-10036	BOLT HEX 5/16 X 1 UNC GRD 5	3	
19	AAB-015-20035	NUT HEX 5/16-18 LOCK NYLON	3	
20	AAA-002-01123	STATIONARY BELT SHROUD 5000 SERIES (PAINTED)	1	
21	AAA-002-02597	5150ST STATIONARY FRAME RAIL LTH 1/4T (PAINTED)	1	
22	AAA-002-02598	5150ST STATIONARY FRAME RAIL RTH 1/4T (PAINTED)	1	
23	AAA-002-02594	5150ST STATIONARY FRAME PLATFORM WELDMENT (PAINTED)	1	
24	AAB-009-00445	FIT 90DEG 6 FJIC X 6 MJIC	2	
25	AAB-009-00713	FIT ADPT 6 MORB X 6 MJIC	2	
26	AAB-015-10056	BOLT HEX 3/8 X 1 UNC GRD 2	4	



Pos	SKU	Description	Qty	Remark
1	AAB-007-00600	NEMA 215T MOTOR/ 10HP/ SINGLE PHASE 230V/ 1800RPM/ 1-3/8DIA SHAFT	2	
2	AAB-015-30019	WSHR LOCK 5/8	4	
3	AAB-007-00757	PULLEY 6/3V19	1	
4	AAB-007-00759	BUSHING EX 1-3/4	1	
5	AAB-007-00758	PULLEY 3/3V500SDS	2	
6	AAB-007-00760	BUSHING SDS x 1-3/8	2	
7	AAB-007-00676	V BELT 3-3V900	2	
8	AAB-007-01042	KEY STOCK 3/8 X 3/8 X 2L WITH SPLINE GROOVE	1	
9	AAA-007-00074	DRIVE SHAFT 1 3/4 20 SP X 1 15/16 KEYED 21-3/4 L W/ 1-3/4 END SHAFT	1	
10	AAB-007-00618	DODGE PILLOWBLOCK BEARING 1-15/16DIA	2	
11	AAA-002-02600-P3	5275ST/5150 STATIONARY BEARING MOUNT WELDMENT (PAINTED)	1	
12	AAA-002-02594	5150ST STATIONARY FRAME PLATFORM WELDMENT (PAINTED)	1	
13	AAB-015-20059	NUT HEX M16 X 2.00 GRD 8.8	4	
14	AAB-015-10121	BOLT HEX 16MM X 65MM GRD 10.9	4	
15	AAB-015-10119	BOLT HEX 5/8 X 2-1/4L UNC GRD 5	4	

Pos	SKU	Description	Qty	Remark
16	AAB-015-20013	NUT HEX 5/8 UNC GRD 5	4	
17	AAA-005-00401	KEY STOCK 1/4 X 1/4 X 1L	2	
