

JAY•LOR®

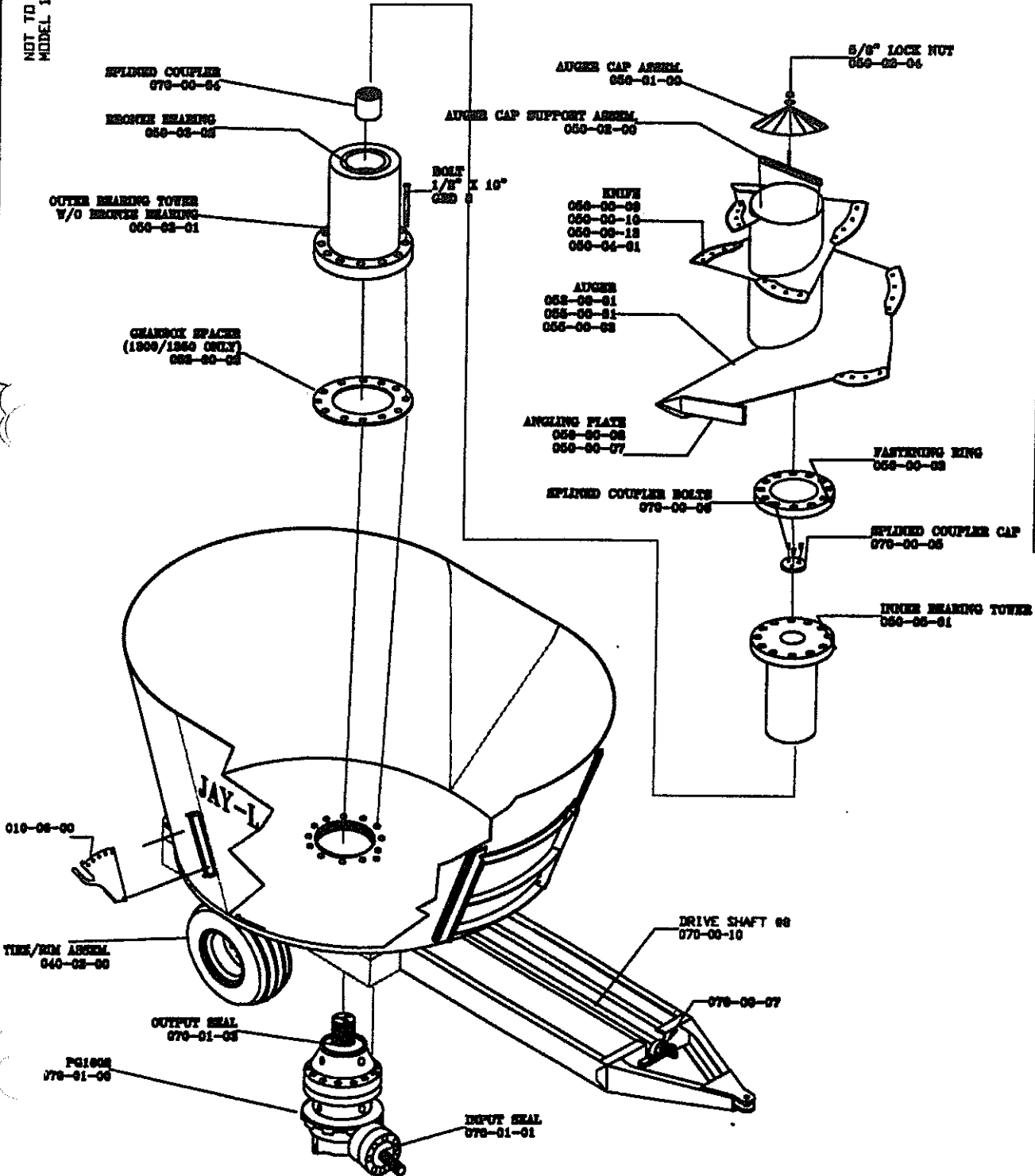
Cutter • Mixer • Feeder

Parts Book

MODELS 1300 / 1350 / 1500 / 1600

RR # 2 Orton, Ontario, Canada L0N 1N0 Tel: (519) 787 9353 Fax: (519) 787 7053

NOT TO SCALE
MODEL 1500 DISPLAYED



DESC: COMPLETE DRIVE LINE

JAY-LOR
Fabricating Inc

MODEL: ALL

MAT'L:

CUTOFF:

TITLE: DRIVELIN.DWG

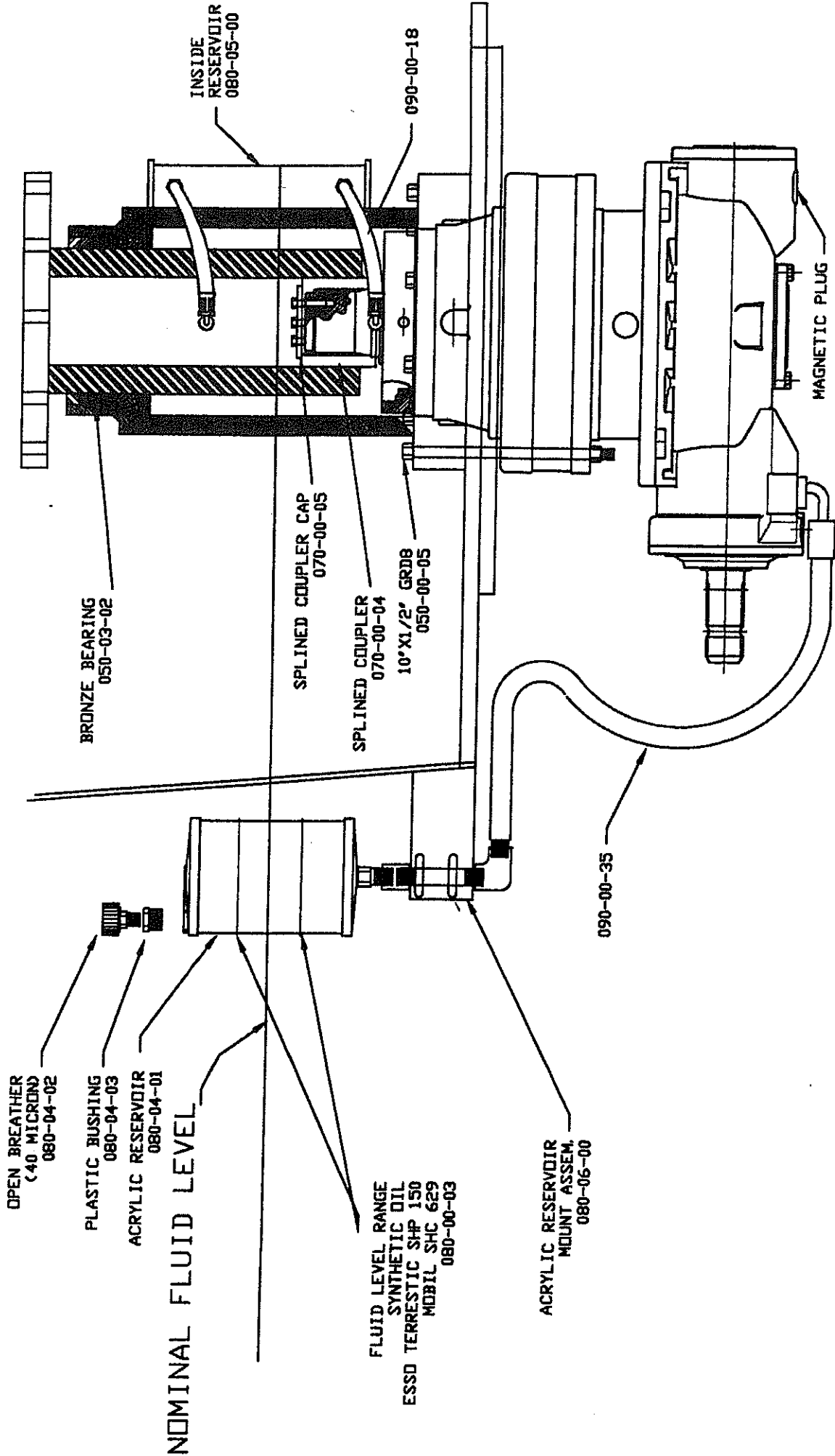
SCALE:

DATE: 14/10/97

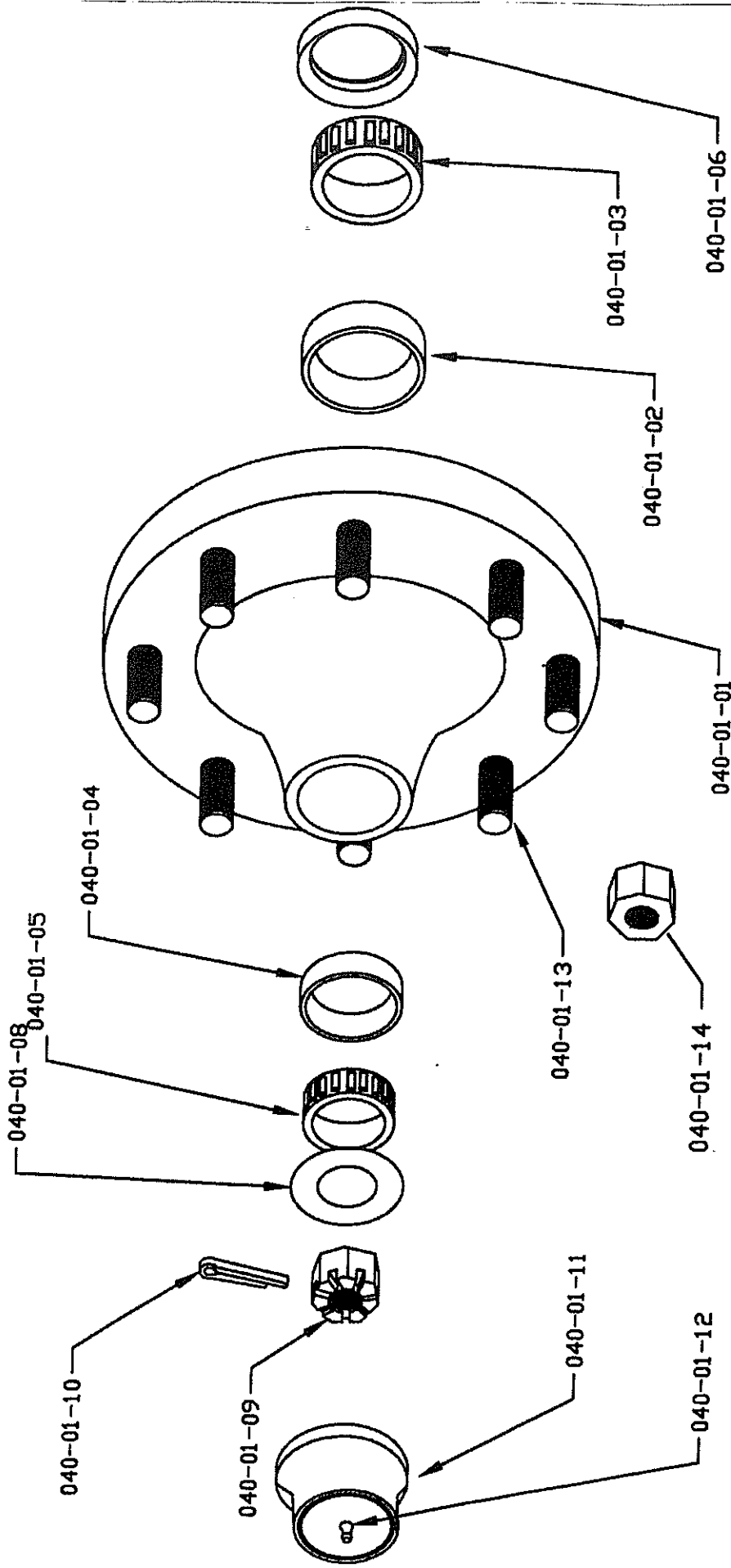
Drawn by: GT

QTY:

PART NO: VARIOUS



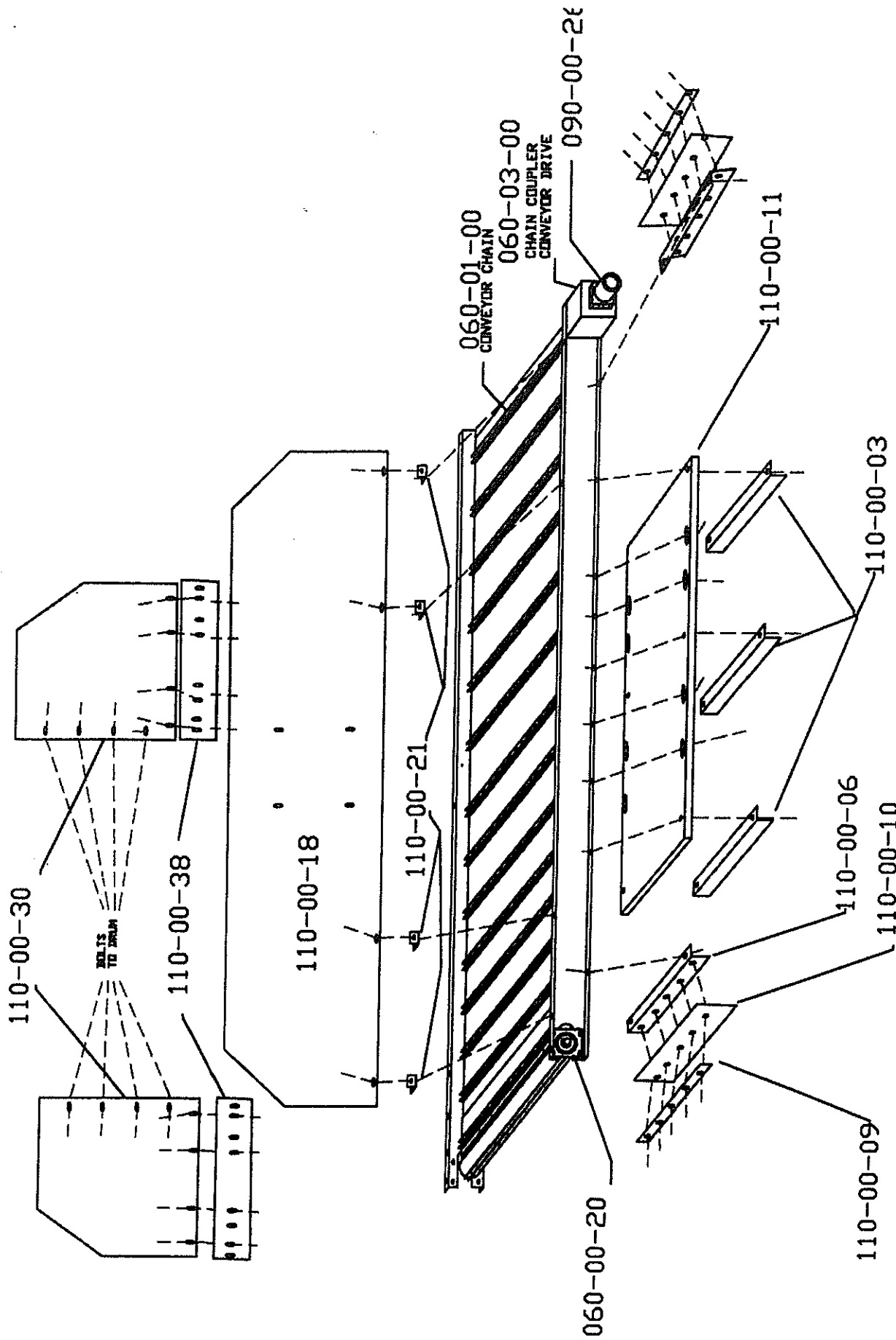
JAY-LOR[®]		Fabricating Inc	
DESC: GEARBOX LUBRICATION SYSTEM			
TITLE: LUBESYS. DWG	MODEL:	SCALE:	PART NO: 080-05-00
	MAT'L:	DATE: 28/07/97	Drawn by: GT
	CUTOFF:		PART NO: 080-06-00
	QUANTITY:		



ASSEMBLY	PART NO INCLUDED	PART NO INCLUDED	PART NO INCLUDED	PART NO INCLUDED	PART NO INCLUDED
040-01-00	ALL OF THE ABOVE				
040-04-00	040-01-11	040-01-12			
040-05-00	040-01-02	040-01-03	040-01-04	040-01-05	040-01-06
040-07-00	ALL OF THE ABOVE EXCEPT	040-01-08	040-01-09	040-01-10	

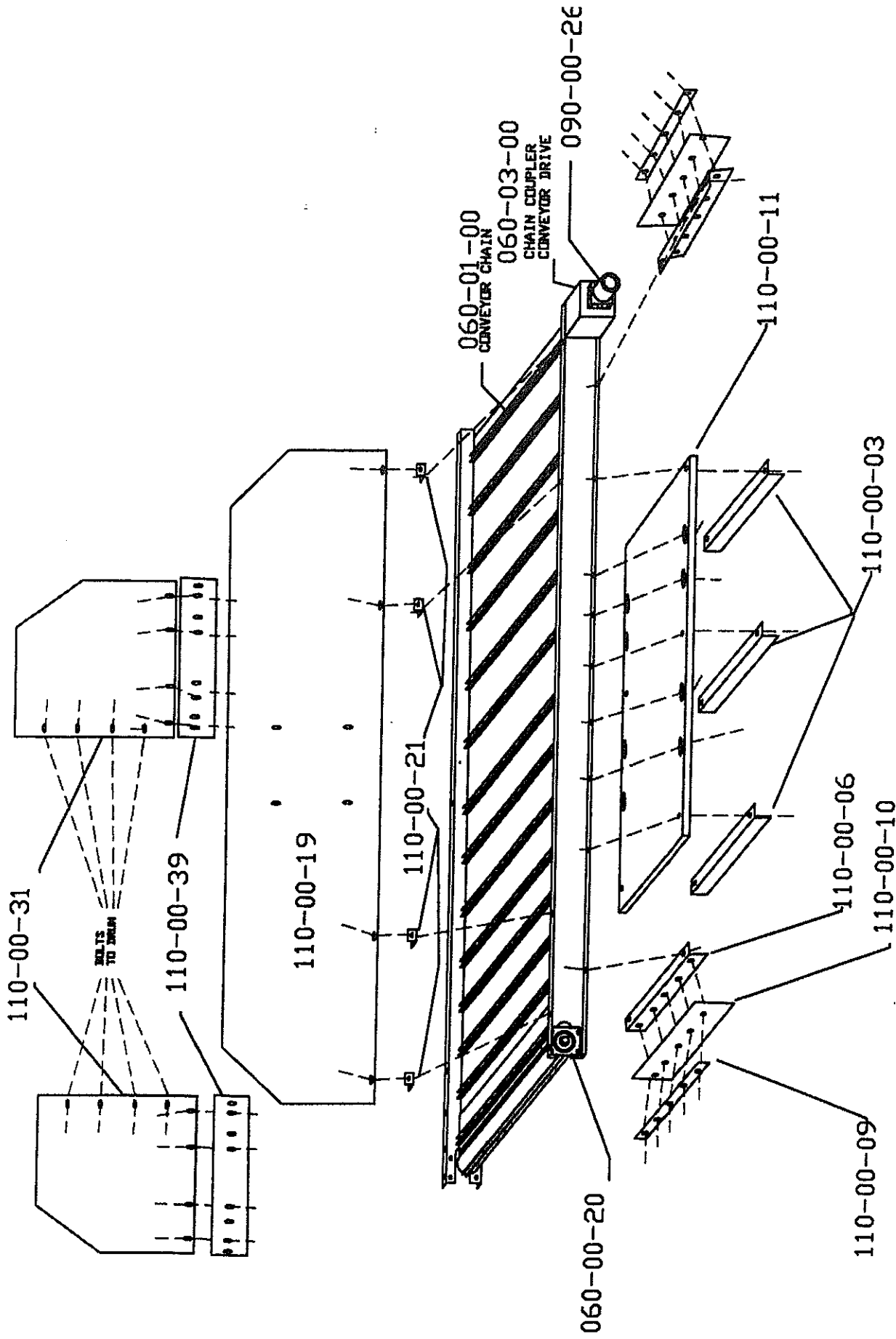
TITLE: 0400100.DWG		DESC: STANDARD HUB 8 BOLT 8000LBS	
MODEL: ALL		SCALE:	
MAT'L:		DATE: 14/10/97	
CUTOFF:		Drawn by: GT	
QTY:		PART NO: 040-01-00	





TITLE: 0601400.DWG		DESC: 8' DUAL CONVEYOR WITH SHIELDS	
MODEL: ALL		SCALE: 1:1	
MAT'L: " "		DATE: 14/10/97	
CUTOFF: " "		Drawn by: GT	
QTY: " "		PART NO: 060-14-00	

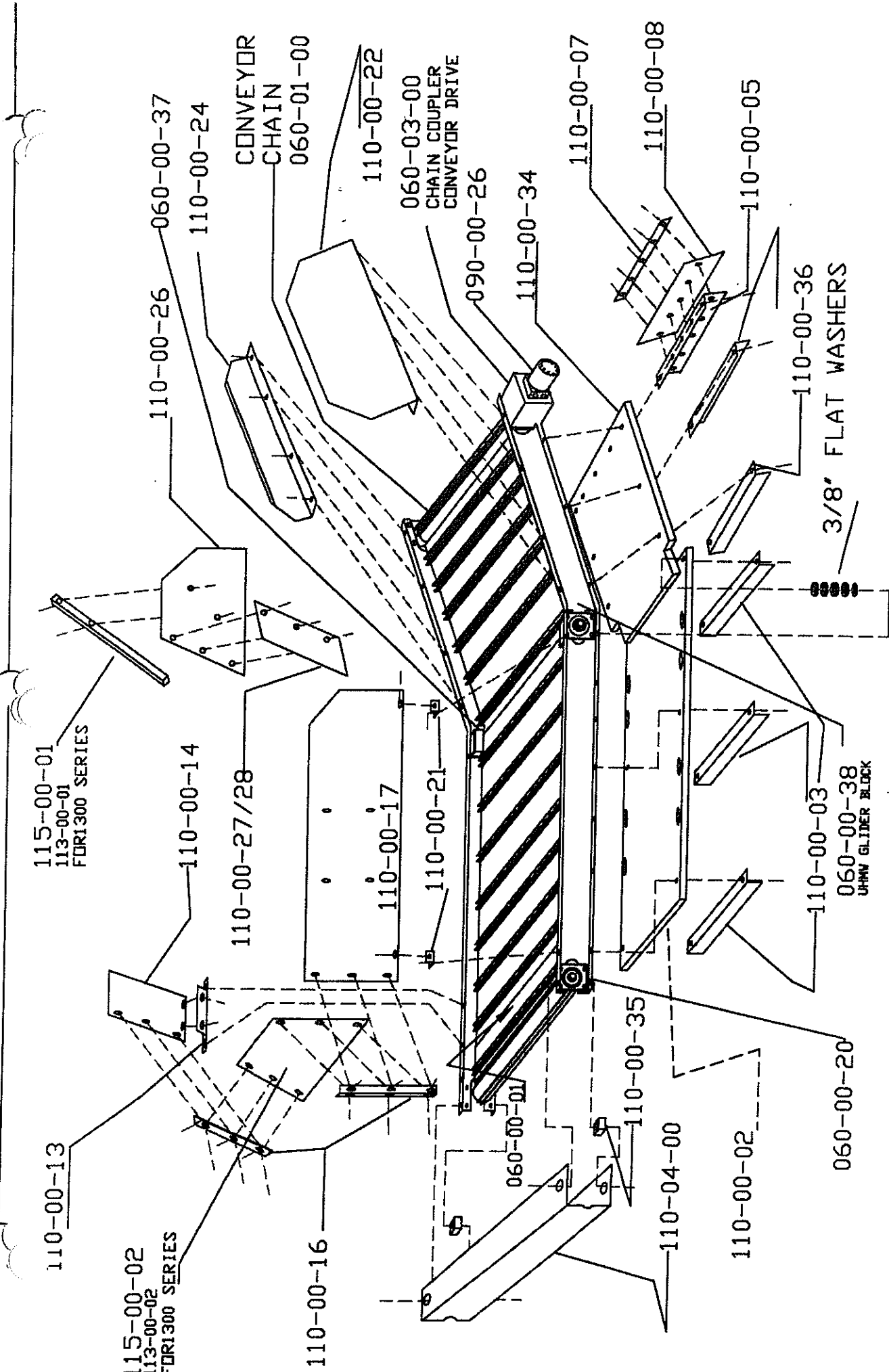
JAY-LOR
 Fabricating Inc



DESC: 9'2" DUAL CONVEYOR
WITH SHIELDS

MODEL: ALL	SCALE:
MAT'L:	DATE: 14/10/97
CUTOFF:	Drawn by: GT
QTY:	PART NO: 060-15-00

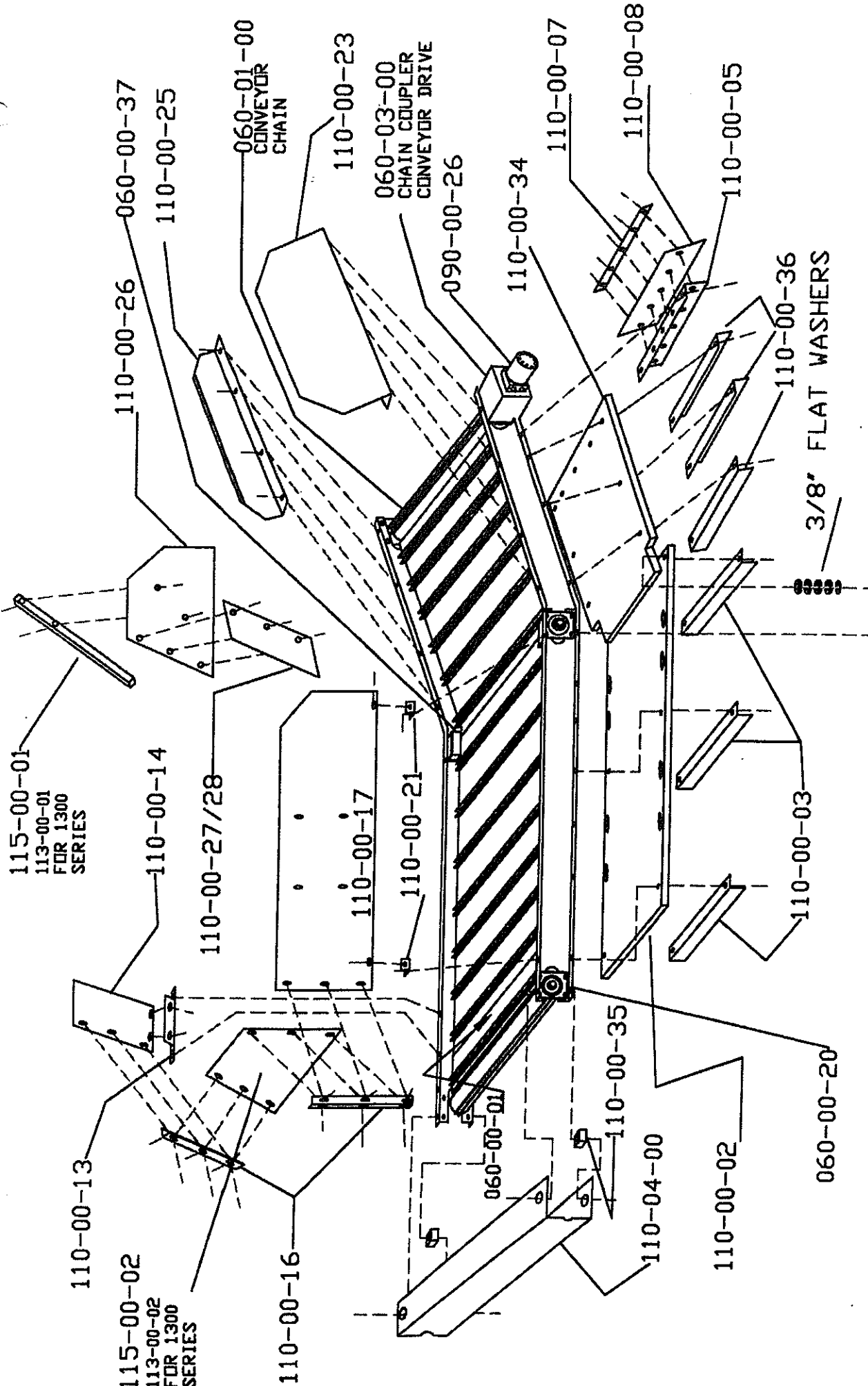
TITLE: 0601500.DWG



JAY-LOR
 Fabricating Inc

DESC: COMPLETE CONVEYOR W/ 41" EXTENSION WITH SHIELDS	SCALE:
MODEL: 1500,1600	DATE: 14/10/97
MAT'L:	Drawn by: GT
CUTOFF:	PART NO: 060-16-00
QTY:	

TITLE: 0601600, DWG



JAY-LOR
Fabricating Inc

DESC: COMPLETE CONVEYOR W/ 60"
EXTENSION WITH SHIELDS

MODEL: 1500,1600

MAT'L:

CUTOFF:

SCALE:

DATE: 14/10/97

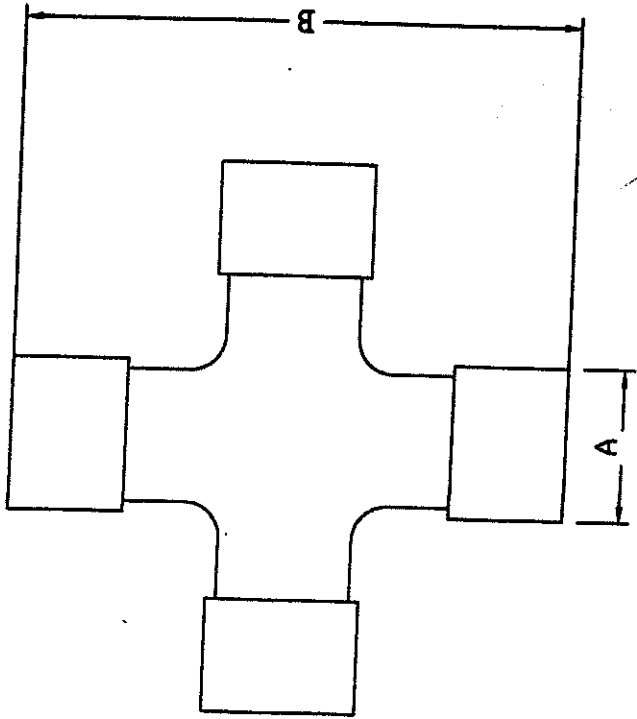
Drawn by: GT

QTY:

PART NO: 060-17-00

TITLE: 0601700.DWG

JAY-LOR	CROSS SIZE	DIMENSIONS	
		A	B
070-00-18	#5 CROSS	30.2 MM	80.0 MM
070-00-19	#6 CROSS	30.2 MM	92.0 MM
070-00-20	#8 CROSS	35.0 MM	106.5 MM



STANDARD EQUIPMENT CROSS SIZES		
MODEL	PTD	DRIVE SHAFT
1220	#5	N/A
1300	#6	#8
1500	#6	#8
1600	#6	#8

JAY-LOR Fabricating Inc		DESC: PTD CROSS SIZES
MODEL: ALL	SCALE:	
MAT'L:	DATE: 14/10/97	
CUTOFF:	Drawn by: GT	
QTY:	PART NO: 070-00-XX	

ITL: PTOCROSS.DWG